

MODUX V1 INSTALLATION INSTRUCTIONS

To preserve the validity of your warranty and ensure long term performance of your LuxR products, it is critical to follow the correct installation procedures. The installation of LuxR Modux range luminaires must be carried out by a suitably qualified person in accordance with local and/or international standards. When working on an electrical system all precautions should be taken to prevent electrical shock.

The H05RN-F or SJOOW cable provided is UV stabilized and rated to IP68 ingress protection and is suitable for direct burial, however it is recommended that all low voltage cables be run in flexible conduit for extra protection. Where extra cable is required, source the equivalent cable from your local supplier. For a valid IP68 connection, all insulation layers need to be appropriately sealed.

The Modux range is designed to be connected in series to a remote constant current driver. The Modux V1 is to be connected to a suitable and approved $\leq 350\text{mA}$ constant current driver. When the driver device has been switched off there is a residual voltage, which can be apparent for up to 10 minutes. Connecting LED's to a driver device within this time, without first discharging the secondary output will damage the LED's. To prevent damage of the LED, ensure that the circuit is switched off and the driver is not live before connecting any LED's.

LED module replacement:

The Modux V1 feature replacement LED engine modules. In order to carry out this operation, the luminaire must be switched off, and the gland unscrewed paying special attention to the correct order of assembly. A 2mm hex key will be required to unscrew the retaining screws, then the LED engine can be removed. The Micro LED engine differs slightly and is a simple push fit. A tiny dab of thermal paste on the back of the new LED engine is all that is required to prepare the mating surface. Fitting is simply a reversal of the disassembly process. Avoid touching the LED dome. New lubricated O-rings should be used to ensure the IP rating is maintained.

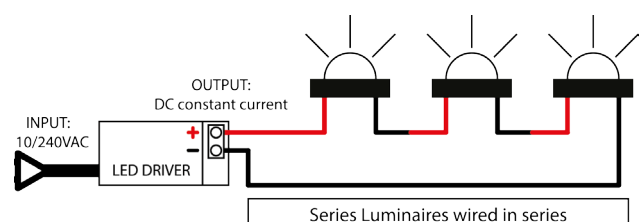
Seals:

When removing and disassembling the Modux V1, you must replace all the seals with the correct O-rings to ensure IP rating is maintained. Consult your distributor for LuxR's proprietary silicone seals. Do not water blast/pressure blast fixtures.

Care and Refinishing:

LuxR recommends the following cleaning methods only, if you are unsure of what finish you have please get in touch with LuxR. Do not use bleach, concentrated cleaners or solvents under any circumstances.

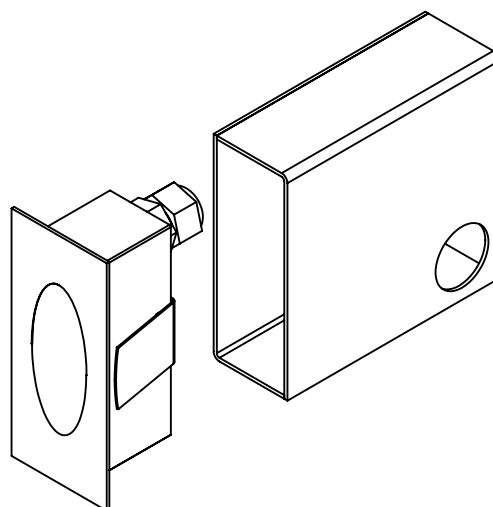
Powdercoated Finishes: Wipe gently with a soft damp cloth or chamois. Do not use abrasive compounds.



Series wiring schematic (No integral driver)

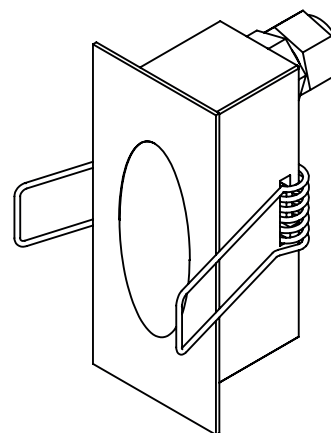
Canister installation instructions:

For mounting into masonry (block) walls outdoors: Mark out intended positions and centre spacing between luminaires directly onto the wall. Mark two vertical lines 15mm (5/8") either side of the centreline, 75mm (3") tall, to form a rectangle. Using a cutting disc, cut two vertical slots to the inside of these lines. With a chisel chase out the centre element and check out the corners. Install canister in the hole. Fill the void between cut out and canister with grout or resin and face off for a tidy installation. Allow adequate time to set.



Indoor installation instructions for coil spring retainers:

For mounting into plasterboard wall indoors, a canister is often not necessary. In this case order the product with coil spring retainers fitted: Place masking tape onto the wall in the intended areas. Mark out positions and centre spacing between luminaires directly onto the tape. Mark two vertical lines 12mm (1/2") either side of the centre line, and form a rectangle 70mm (2 3/4") tall. Using a blade, cut two vertical slots to the inside of these lines through the plasterboard. Cut out the centre element and check out the corners. Install the series wired cabling from the driver, and to all subsequent cut-outs in the series circuit. Bend the coil springs back and install the luminaire into the hole that has been made. The spring legs will secure it in place.



DO NOT INSTALL IN LIMESTONE

Install the wired cabling from the driver, and to all subsequent cut outs in the series circuit. All connections must be IP rated with double-wall heat shrink insulation. Install the luminaire into the canister. The flat spring tabs will secure it in place. Connect in series. IP68 connector recommended. Never switch the output of a constant current driver. Driver must be switched off when connecting LED's to prevent damage.