



LuxR M4 RGBW
Te Ahil Tupua "The Eternal Fire", Rotorua, New Zealand

Which RGBW format is right for my project?

Finding a cost-effective and easy to install solution can be tricky. LuxR[®] offers multiple wiring solutions for your unique project.

	DMX Integral	8 Cable Remote
Luminaires (per POWER circuit)	1-60* Pending 24V Driver	14
Luminaires (per DATA circuit, without repeaters)	32	Unlimited
Power (per luminaire)	4.5W	4.3W
DMX Compatible	✓	✓
DALI Compatible	-	✓
Wiring	Parallel Wired	Series Wired
Circuit Length*	Medium	Long
Cost Effective*	Medium to large projects	Medium to large projects
DMX addressing	"In Factory" per fixture	"On-site" push buttons on driver
Scene Setting	Dynamic Scenes require DMX Controller	Dynamic Scenes via DMX or DALI Controller
Required Components	1x 12-24 VDC Power Supply per circuit 1x 120 OHM Resistor 1x DMX512 Controller (to provide DMX signal for luminaire instruction)	1x EldoLED POWERdrive 106/S Constant Current LED Driver per circuit. 1x DMX512 or DALI Controller (to provide DMX or DALI signal for instruction to the POWERdrive 106/S)
Additional Considerations*	Hybrid Networks with 3rd party products Hybrid cable DMX+24V No RDM available, Planning needed.	Cost Effective Best suited for long circuits Requires waterproof driver enclosure
Defaults Settings if NO DMX connected	Rainbow colour scroll scene	Choose from multiple colour scroll scenes from the POWERdrive presets. Adjust colour output (intensity, hue, white)

*Indicative only, please consult a LuxR[®] Outdoor Lighting Specialist for additional support.

Luminaires (per POWER circuit)	Up to 60* per 300W 12-24VDC driver
Luminaires (per DATA circuit without repeaters)	Up to 32 per DMX controller
Power (per luminaire)	4.5W
DMX Compatible	✓
DALI Compatible	-
Wiring	Parallel Wired
Circuit Length*	Medium
Cost Effective*	Medium to large projects
DMX addressing	"In Factory" per fixture

Scene Setting	Dynamic Scenes require DMX Controller
Required Components	1x 12-24 VDC Power Supply per circuit (not supplied) 1x 120 OHM Resistor (not supplied) 1x DMX512 Controller (not supplied) (to provide DMX signal for luminaire instruction)
Additional Considerations*	Hybrid Networks with 3rd party products Hybrid cable DMX+24V No RDM available Planning needed
Defaults settings if NO DMX connected	Rainbow colour scroll scene

*Indicative only, please consult a LuxR Outdoor Lighting Specialist for additional support.

Driver

DMX Integral has a DMX brain inside each fixture. Each luminaire can be individually addressed at the factory, so you can create scenes of scrolling colour moving along your luminaire sets. Planning is required, as this type of circuit requires IP rated cable joints over the Hybrid 24V Power Supply connections and Data Cabling connections.

These are not RDM (Remote Device Management) so it is essential to provide complete details of the addresses you require when ordering for extra functionality.

Installation

Recommended Installation: Wired in parallel, apply a DMX controller to the circuit to create a dynamic range of scenes.

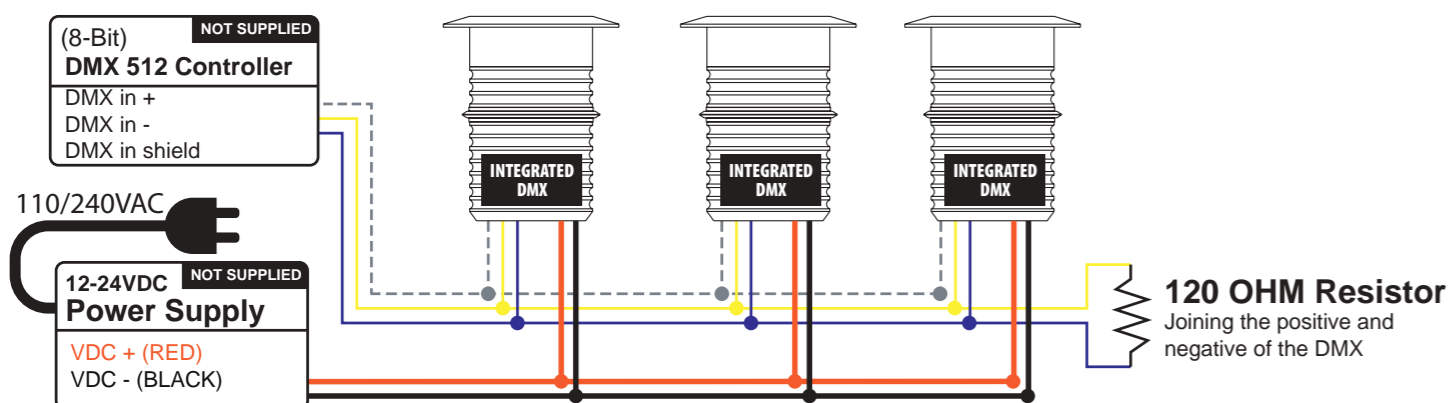
NO DMX Installation: This fixture will scroll a rainbow sequence allowing you to test basic function. There are no other scenes pre-programmed.



*Best Suited: All types of installation, planning is required.
Not suited to small installations due to DMX integration cost considerations.

Example: Large circuit with separate scenes.

Wiring Guide



Note: Bussed network functional model of up to 32 luminaires at 4.5W per luminaire without using a repeater.

Scene Setting	Dynamic Scenes via DMX or DALI Controller
Required Components	1x EldoLED POWERdrive 106/S Constant Current LED Driver per circuit (not supplied) 1x DMX512 or DALI Controller (not supplied) (to provide DMX or DALI signal for instruction to the POWERdrive 106/S)
Additional Considerations*	Cost Effective Best suited for long circuits Requires waterproof driver enclosure
Defaults settings if NO DMX connected	Choose from multiple colour scroll scenes from the POWERdrive presets. Adjust colour output (intensity, hue, white)

*Indicative only, please consult a LuxR Outdoor Lighting Specialist for additional support.

Driver

EldoLED POWERdrive 106/S: This format is the most simple and cost effective solution for large simple scene installations. The luminaires will respond in unison per individual series wired driver

Cabling must be installed with IP rated connection methods that seal all layers of insulation.

The DMX addresses can be set at the driver. Preset scenes accessible from a push button menu structure or via DMX or DALI. It has a 110-240V driver. **NEEDS TO BE STORED IN A DRY LOCATION.**

Tunable dynamic response: Dynamic response can be tuned to fit any content - from exceptionally smooth fades in architecture to fast-paced video in entertainment.

HydraDrive: provides the smoothest colour fades and dimming to dark.

Installation

Recommended Installation: Output wired in series, apply DMX or DALI controller to the POWERdrive to create a dynamic range of scenes.

NO DMX Installation: Choose from multiple colour scroll scene from POWERdrive presets. Adjust colour output (intensity, hue, white) all within the push button menu.



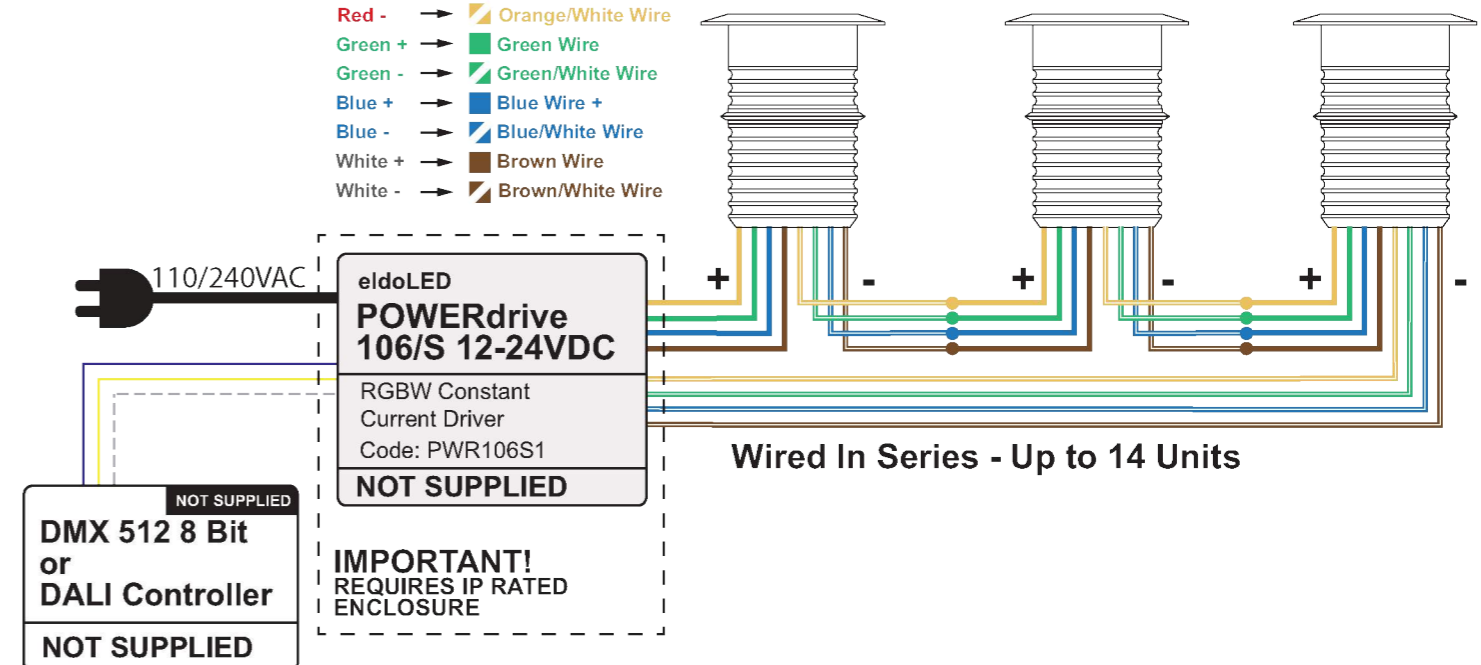
Best Suited: Projects where all luminaries act the same and adjustment is needed on-site.

Example: Multiple luminaries programmed with one scene, colour changing from green to red.

Wiring Guide

Driver Termination Key

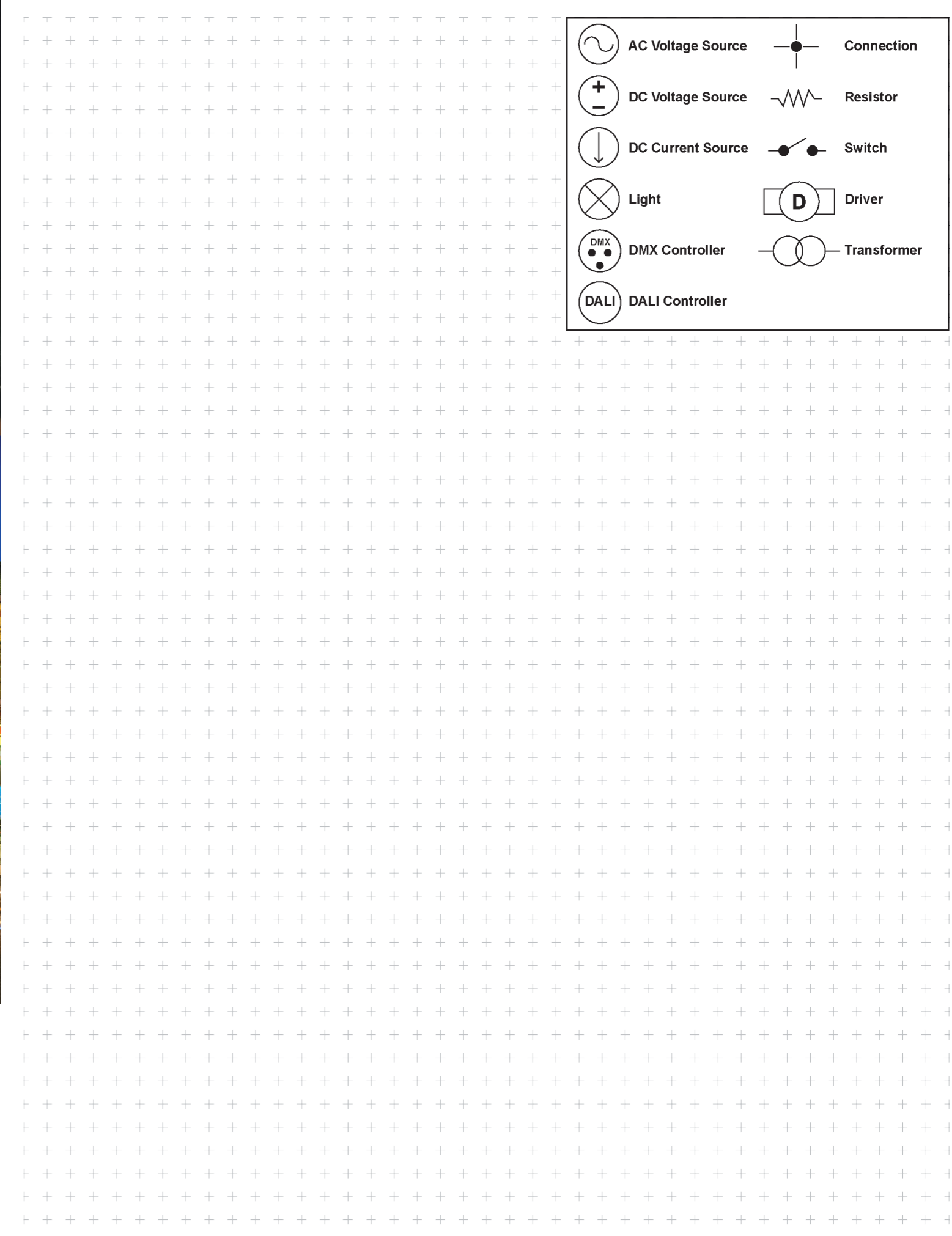
- Red + → Orange Wire +
- Red - → Orange/White Wire
- Green + → Green Wire
- Green - → Green/White Wire
- Blue + → Blue Wire +
- Blue - → Blue/White Wire
- White + → Brown Wire
- White - → Brown/White Wire





Circuit Planner

	AC Voltage Source		Connection
	DC Voltage Source		Resistor
	DC Current Source		Switch
	Light		Driver
	DMX Controller		Transformer
	DALI Controller		



New to RGBW wiring or still unsure?

Talk to a Outdoor Lighting Specialist to see which solution is best suited for your project.

Ph: +64 9 528 9471
E: hunza@hunza.co.nz

Available from specialist outdoor lighting distributors.
To learn more, or to find a distributor in your area visit:
www.luxrled.com



LuxR[®]
LED BY DESIGN

www.luxrled.com

LuXR Head Office
130 Felton Mathew Ave
Saint Johns, Auckland 1072
New Zealand