



LuxR M4 RGBW  
Te Ahil Tupua "The Eternal Fire", Rotorua, New Zealand

## Which RGBW format is right for my project?

Finding a cost-effective and easy to install solution can be tricky. LuxR<sup>®</sup> offers multiple wiring solutions for your unique project.

	DMX Integral	DMX Remote	8 Cable Remote
<b>Luminaires (per POWER circuit)</b>	1-60* Pending 24V Driver	1	14
<b>Luminaires (per DATA circuit, without repeaters)</b>	32	32	Unlimited
<b>Power (per luminaire)</b>	4.5W	4.5W	4.3W
<b>DMX Compatible</b>	✓	✓	✓
<b>DALI Compatible</b>	-	-	✓
<b>Wiring</b>	Parallel Wired	Series wired 1 x driver per fixture	Series Wired
<b>Circuit Length*</b>	Medium	Short	Long
<b>Cost Effective*</b>	Medium to large projects	Small to medium projects	Medium to large projects
<b>DMX addressing</b>	"In Factory" per fixture	"On-site" push buttons on driver	"On-site" push buttons on driver
<b>Scene Setting</b>	Dynamic Scenes require DMX Controller	Dynamic Scenes require DMX Controller	Dynamic Scenes via DMX or DALI Controller
<b>Required Components</b>	1x 12-24 VDC Power Supply per circuit 1x 120 OHM Resistor 1x DMX512 Controller (to provide DMX signal for luminaire instruction)	1x ECOdrive 15D per fixture (supplied) 1x 12-24 VDC Power Supply 1x DMX512 Controller (to provide DMX signal for instruction to the ECOdrive 15D)	1x EldoLED POWERdrive 106/S Constant Current LED Driver per circuit. 1x DMX512 or DALI Controller (to provide DMX or DALI signal for instruction to the POWERdrive 106/S)
<b>Additional Considerations*</b>	Hybrid Networks with 3rd party products Hybrid cable DMX+24V No RDM available, Planning needed.	Requires waterproof driver enclosure	Cost Effective Best suited for long circuits Requires waterproof driver enclosure
<b>Defaults Settings if NO DMX connected</b>	Rainbow colour scroll scene	Choose from multiple colour scroll scenes from the ECOdrive presets. Adjust colour output (intensity, hue, white)	Choose from multiple colour scroll scenes from the POWERdrive presets. Adjust colour output (intensity, hue, white)

\*Indicative only, please consult a LuxR<sup>®</sup> Outdoor Lighting Specialist for additional support.

<b>Luminaires (per POWER circuit)</b>	Up to 60* per 300W 12-24VDC driver
<b>Luminaires (per DATA circuit without repeaters)</b>	Up to 32 per DMX controller
<b>Power (per luminaire)</b>	4.5W
<b>DMX Compatible</b>	✓
<b>DALI Compatible</b>	-
<b>Wiring</b>	Parallel Wired
<b>Circuit Length*</b>	Medium
<b>Cost Effective*</b>	Medium to large projects
<b>DMX addressing</b>	"In Factory" per fixture

<b>Scene Setting</b>	Dynamic Scenes require DMX Controller
<b>Required Components</b>	1x 12-24 VDC Power Supply per circuit (not supplied) 1x 120 OHM Resistor (not supplied) 1x DMX512 Controller (not supplied) (to provide DMX signal for luminaire instruction)
<b>Additional Considerations*</b>	Hybrid Networks with 3rd party products Hybrid cable DMX+24V No RDM available Planning needed
<b>Defaults settings if NO DMX connected</b>	Rainbow colour scroll scene

\*Indicative only, please consult a LuxR Outdoor Lighting Specialist for additional support.

## Driver

**DMX Integral** has a DMX brain inside each fixture. Each luminaire can be individually addressed at the factory, so you can create scenes of scrolling colour moving along your luminaire sets. Planning is required, as this type of circuit requires IP rated cable joints over the Hybrid 24V Power Supply connections and Data Cabling connections.

These are not RDM (Remote Device Management) so it is essential to provide complete details of the addresses you require when ordering for extra functionality.

## Installation

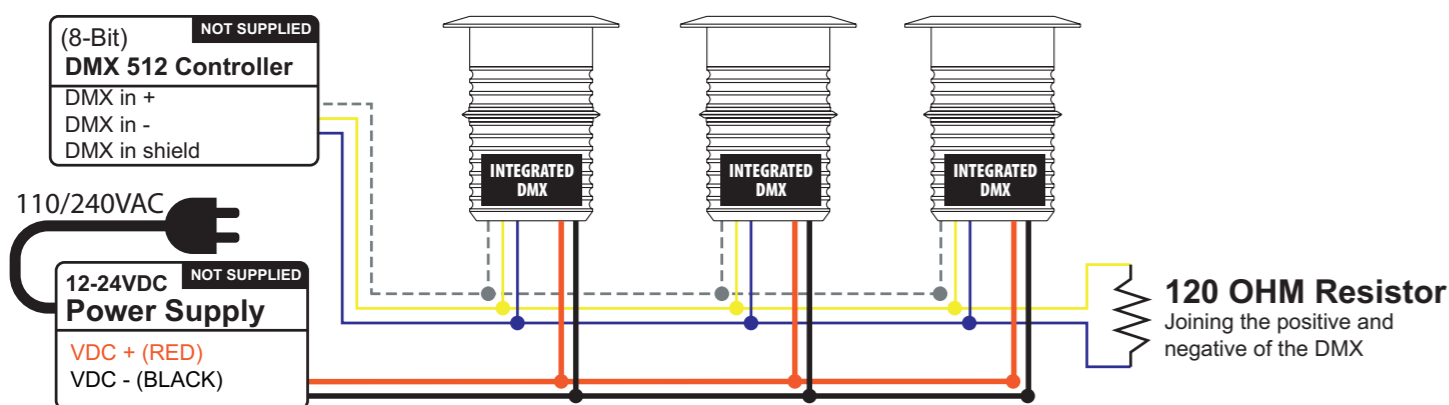
**Recommended Installation:** Wired in parallel, apply a DMX controller to the circuit to create a dynamic range of scenes.

**NO DMX Installation:** This fixture will scroll a rainbow sequence allowing you to test basic function. There are no other scenes pre-programmed.



*Best Suited: All types of installation, planning is required.  
\*Not suited to small installations due to DMX integration cost considerations.  
Example: Large circuit with separate scenes.*

## Wiring Guide



**Note:** Bussed network functional model of up to 32 luminaires at 4.5W per luminaire without using a repeater.

<b>Luminaires (per POWER circuit)</b>	1 per Ecodrive 15D driver, up to 60* per 300W 12-24VDC driver
<b>Luminaires (per DATA circuit without repeaters)</b>	Up to 32 per DMX controller
<b>Power (per luminaire)</b>	4.5W
<b>DMX Compatible</b>	✓
<b>DALI Compatible</b>	-
<b>Wiring</b>	Series wired 1 x driver per 5 wire fixture
<b>Circuit Length*</b>	Short
<b>Cost Effective*</b>	Small to medium projects
<b>DMX addressing</b>	"On-site" push buttons on the driver

<b>Scene Setting</b>	Dynamic Scenes require DMX Controller
<b>Required Components</b>	1x ECOdrive 15D per fixture (supplied) 1x 12-24 VDC Power Supply (not supplied) 1x DMX512 Controller (not supplied) (to provide DMX signal for instruction to the ECOdrive 15D)
<b>Additional Considerations*</b>	Requires waterproof driver enclosure
<b>Defaults settings if NO DMX connected</b>	Choose from multiple colour scroll scenes from the ECOdrive presets. Adjust colour output (intensity, hue, white)

\*Indicative only, please consult a LuxR Outdoor Lighting Specialist for additional support.

## Driver

**eldoLED Ecodrive 15D (SUPPLIED):** This format comes with the "ECOdrive dimming slave", external from the luminaire. Whilst we do not recommend joining cables in outdoor locations this fixture has a standard ELV (5 power wire) to the luminaire, so sourcing cable and joining is straight forward. **Cabling must be installed with IP rated connection methods that seal all layers of insulation.**

The DMX addresses can be set at the driver. Preset scenes accessible from a push button menu structure or via DMX. It has a 12-24V DC input + DMX input. One ECOdrive 15D is required per fixture as the fixture cannot be driven on a 24V strip light controller as the LED is common negative. **NEEDS TO BE STORED IN A DRY LOCATION.**

**HydraDrive:** provides the smoothest colour fades and dimming to dark.

## Installation

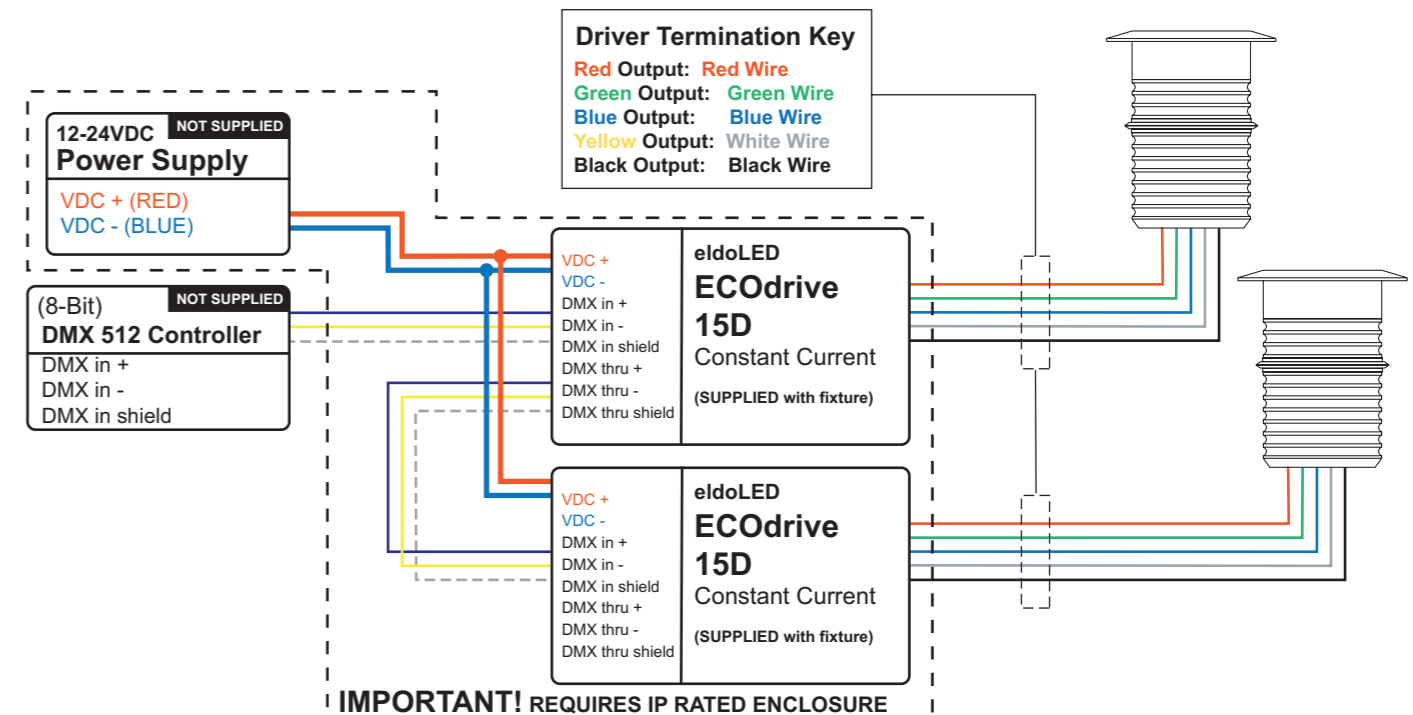
**Recommended Installation:** Apply a DMX controller to the circuit to create a dynamic range of scenes.

**NO DMX Installation:** The Ecodrive 15D has a range of preset scenes you can access and colour tuning (intensity, hue, white) without the need for DMX to be applied. These are accessed by a push button menu on the driver. The preset scenes cannot be changed remotely.



*Best Suited: Dynamic scenes in a small circuit.  
Example: A sculpture with 2-3 fixtures, individual colours and scenes per fixture.*

## Wiring Guide





# 8 Cable (8C) Remote

<b>Luminaires (per POWER circuit)</b>	Up to 14 per EldoLED POWERdrive 106/S
<b>Luminaires (per DATA circuit without repeaters)</b>	Unlimited
<b>Power (per luminaire)</b>	4.3W
<b>DMX Compatible</b>	✓
<b>DALI Compatible</b>	✓
<b>Wiring</b>	Series Wired
<b>Circuit Length*</b>	Long
<b>Cost Effective*</b>	Medium to large projects
<b>DMX addressing</b>	"On-site" push buttons on the driver

<b>Scene Setting</b>	Dynamic Scenes via DMX or DALI Controller
<b>Required Components</b>	1x EldoLED POWERdrive 106/S Constant Current LED Driver per circuit (not supplied) 1x DMX512 or DALI Controller (not supplied) <small>(to provide DMX or DALI signal for instruction to the POWERdrive 106/S)</small>
<b>Additional Considerations*</b>	Cost Effective Best suited for long circuits Requires waterproof driver enclosure
<b>Defaults settings if NO DMX connected</b>	Choose from multiple colour scroll scenes from the POWERdrive presets. Adjust colour output (intensity, hue, white)

\*Indicative only, please consult a LuxR Outdoor Lighting Specialist for additional support.

## Driver

**EldoLED POWERdrive 106/S:** This format is the most simple and cost effective solution for large simple scene installations. The luminaires will respond in unison per individual series wired driver

**Cabling must be installed with IP rated connection methods that seal all layers of insulation.**

The DMX addresses can be set at the driver. Preset scenes accessible from a push button menu structure or via DMX or DALI. It has a 110-240V driver. **NEEDS TO BE STORED IN A DRY LOCATION.**

**Tunable dynamic response:** Dynamic response can be tuned to fit any content - from exceptionally smooth fades in architecture to fast-paced video in entertainment.

**HydraDrive:** provides the smoothest colour fades and dimming to dark.

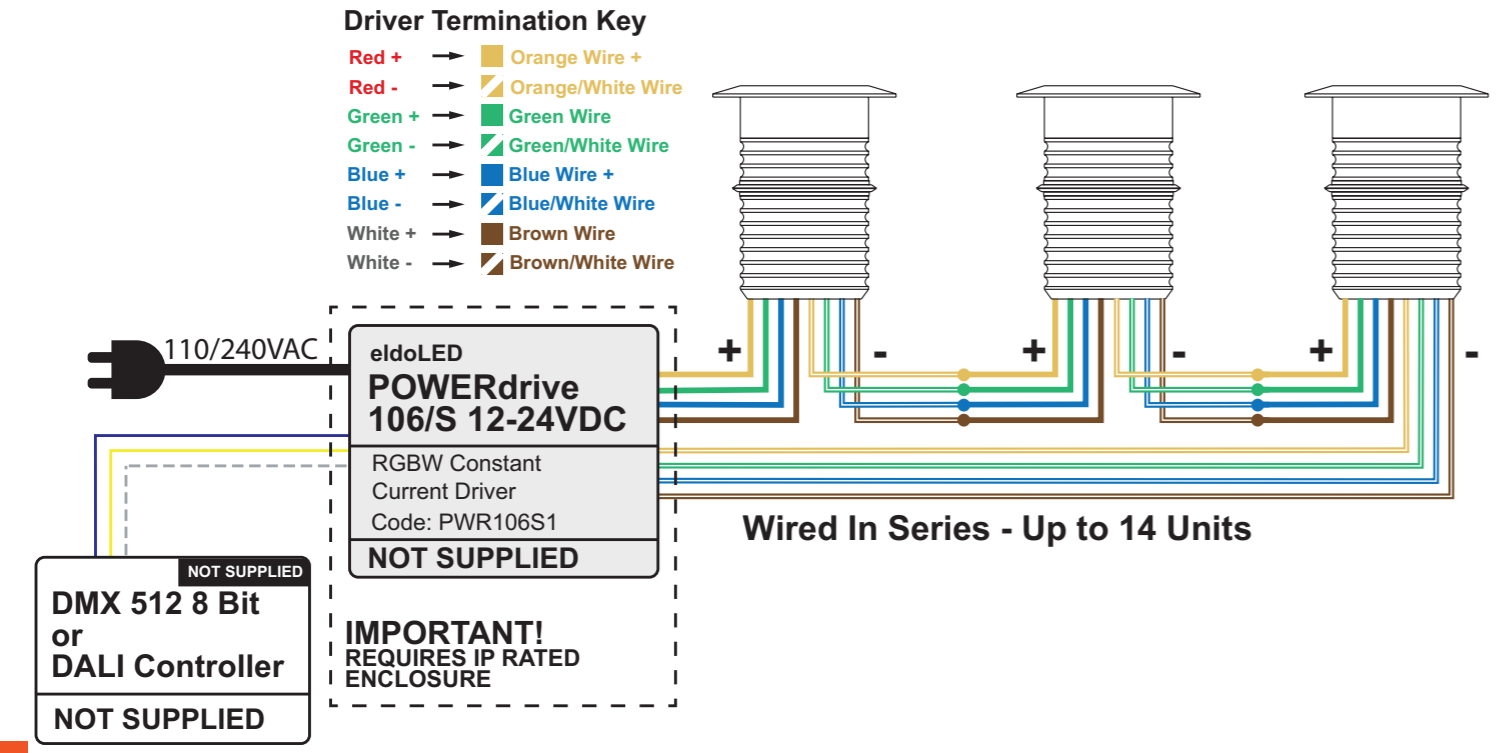
## Installation

**Recommended Installation:** Output wired in series, apply DMX or DALI controller to the POWERdrive to create a dynamic range of scenes.

**NO DMX Installation:** Choose from multiple colour scroll scene from POWERdrive presets. Adjust colour output (intensity, hue, white) all within the push button menu.



## Wiring Guide



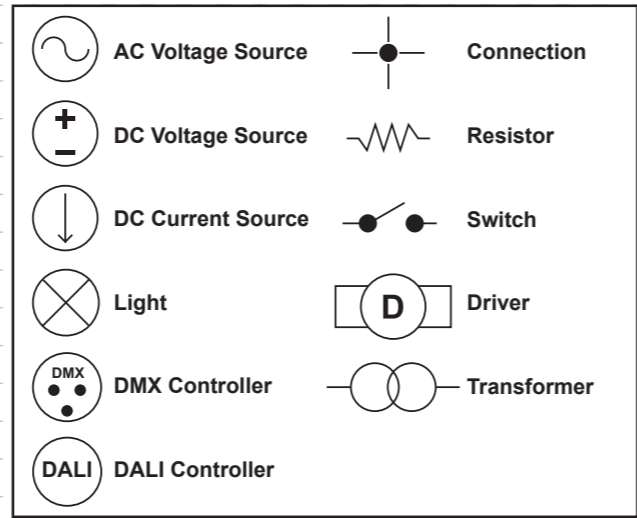
**New to RGBW wiring or still unsure?**  
Talk to a Outdoor Lighting Specialist to see which solution is best suited for your project.

Ph: +64 9 528 9471  
E: hunza@hunza.co.nz

Available from specialist outdoor lighting distributors.  
To learn more, or to find a distributor in your area visit:  
[www.luxrled.com](http://www.luxrled.com)







**LuxR**<sup>®</sup>  
LED BY DESIGN

[www.luxrled.com](http://www.luxrled.com)

LuXR Head Office  
130 Felton Mathew Ave  
Saint Johns, Auckland 1072  
New Zealand