



M2 WALLWASHER CONFIGURATION

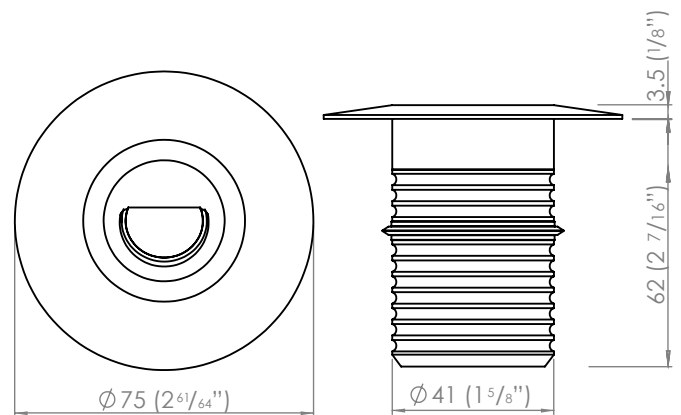
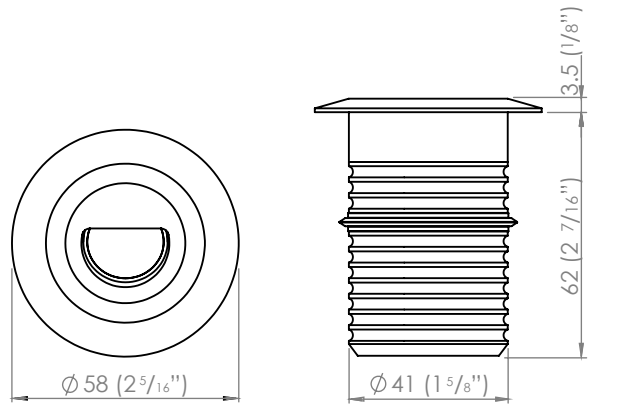
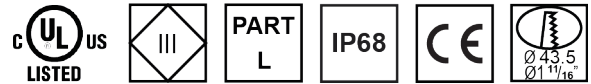
Please fill in appropriate codes into boxes provided

Power	Flange	Driver	Material	Colour	Accessories
M2WW 2 Watt	R Round LR Large Round	R Remote CC IA Integral 12VAC ID Integral 24VDC	C Copper S Stainless Steel A Aluminium* BK Black BZ Bronze W White	27 2700K 30 3000K 40 4000K R Red G Green B Blue A Amber	PCAN PVC Canister ACAN Aluminium Canister SCAN Security Canister DCAN Deck Canister AFMC Aluminium Floor Mount Canister RP Recessed Plug

*Please specify powder-coat colour when ordering an aluminium luminaire.

SPECIFICATIONS

Power	2 Watt
Ingress Protection Rating	IP68
Cable	H05RN-F 2x 0.75mm
Material	- Black/Bronze/ White Powdercoated Aluminium - Natural Copper - 316 Stainless Steel
Lens Cover	Clear and Frosted
Removable Light Engine	2W 3vf Cree XPG-3 LED
Colour Temperature	2700K, 3000K, 4000k
Optic Degrees	Asymmetric
CRI	90+ CRI
Efficacy	85lm/w - delivered from luminaire with unobstructed beam
Input	700mA Constant current (Remote) 12V AC (Integral) 24V DC (Integral)
Warranty	Electronics - 5 years Aluminium components - 5 years Copper and Stainless Steel components - 10 years
Load Rating	Stainless Steel only 5000kg/8800lbs COPPER AND ALUMINIUM ARE SOFT METALS AND ARE NOT SUITABLE FOR DRIVE OVER APPLICATIONS
LED Shield	LED Bypass Shunt LED Reverse Polarity Protection
LED Life Expectancy	50,000 Hours
B Number	94.05



M2 UPLIGHTER

The M2 luminaire range is powered by a 2 watt LuxR light engine that offers a wide choice of LED colours. The luminaire was developed to meet the challenge of delivering high quality practical accent lighting with maximum energy efficiency and a long, maintenance-free life.

All LuxR luminaires offer a replaceable LED system using Cree LED chips for maximum performance and long life. Precise LED binning by Cree ensure the same colour temperature across all our luminaires which allows LuxR products to be situated close to one another without the fear of colour variance in the colours.

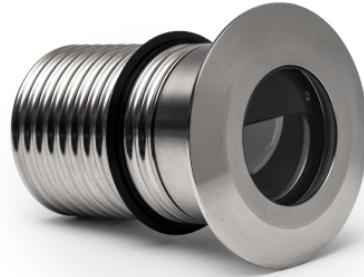
This luminaire is extremely tough, durable and waterproof, making it ideal for installation in public spaces, large-scale projects and residential areas.

RECOMMENDATIONS

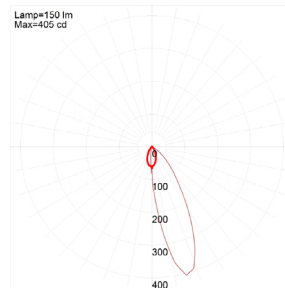
Using the mounting canisters will make recessed installation of this product simple. Core a hole in an existing wall or cast the canister in. Once in place, simply push the fitting into the canister. The luminaire will be retained by a silicon wiper seal.

REPLACING COMPONENTS

Firstly remove the luminaire from its recessed location. Unscrew the flange paying close attention to the assembly order or refer to the diagram below. Locate the item that needs to be replaced, it is imperative you replace the component with factory LuxR parts to ensure correct operation of the luminaire. When reassembling make sure all the components are in their correct order to ensure water tightness and correct light output.



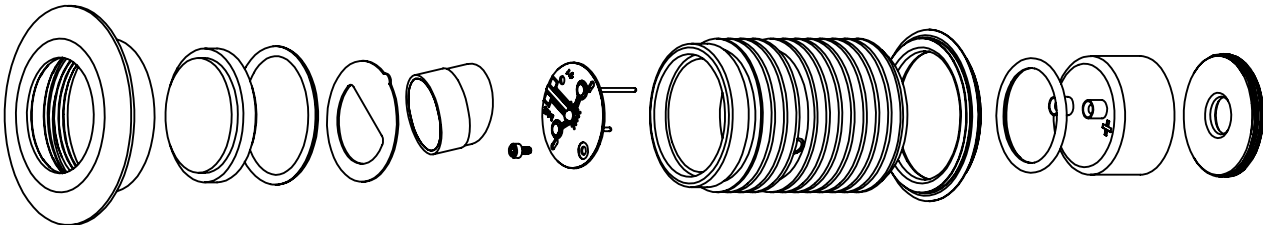
BEAM ANGLES



Asymmetric Beam

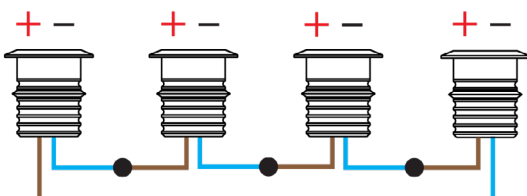
ACCESSORIES

Recessed mounting canisters
(Please refer to the canister spec sheets for more information)



REMOTE DRIVER WIRED IN SERIES

Often referred to as series wiring the current in a series circuit follows one path from start-to-finish with the positive of the second LED connected to the negative of the first. Series wiring allows a single driver to be mounted remotely, powering a number of series fittings. Often the most simplest of wiring schemes as each fitting is connected to the next in a daisy chain. It removes the need for a smaller 12 volt driver in each fitting.



INTEGRAL DRIVER + TRANSFORMER

In a parallel circuit all the positive connections are tied together and back to the positive output of the LED driver and all the negative connections are tied together and back to the negative output of the driver. The integral driver option allows LuxR fittings to be wired in parallel to existing or new installations where a wire wound or magnetic transformer is being used.

