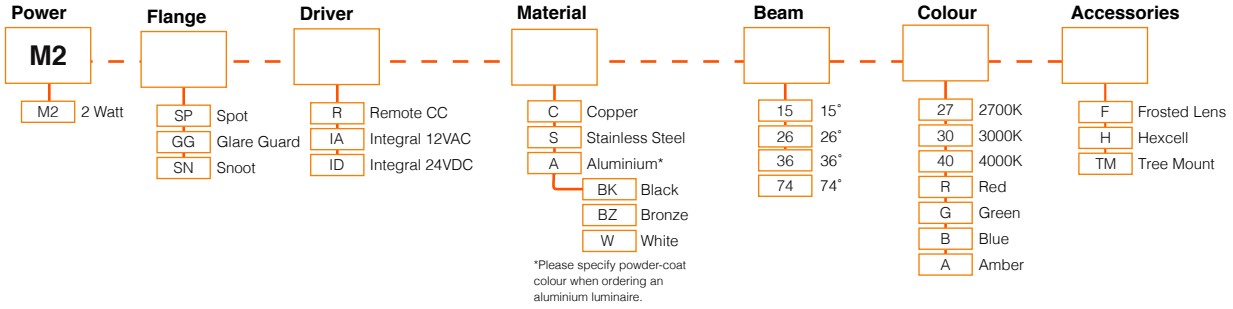




PRODUCT CONFIGURATION

Please fill in appropriate codes into boxes provided

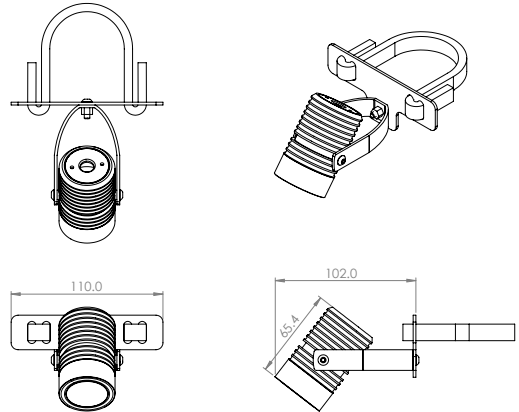


SPECIFICATIONS

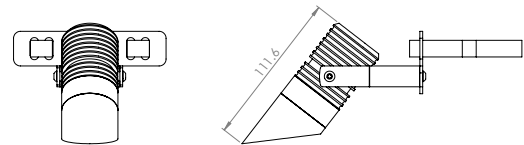


Power	2 Watt
Ingress Protection Rating	IP68
Cable	1 meter H05RN-F
Material	- Black/Bronze/White Powdercoated Aluminium - Natural Copper - 316 Stainless Steel
Lens Options	Clear, Frosted or Hexcell
Removable Light Engine	Screw Mounted 2W 3vf Cree™ XPG-3 LED
Colour Temperature Options	2700K, 3000K, 4000K
Optic Degrees	15°, 26°, 36°, 74°
CRI	90+ CRI
Efficiency	85lm/w - delivered from luminaire with unobstructed beam
Input	700mA Constant Current 12VAC 24VDC
Warranty	Electronics - 5 years Aluminium components - 5 years Copper and Stainless Steel components - 10 years
LED Shield	LED Bypass Shunt LED Reverse Polarity Protection
LED Life Expectancy	50,000 Hours L70

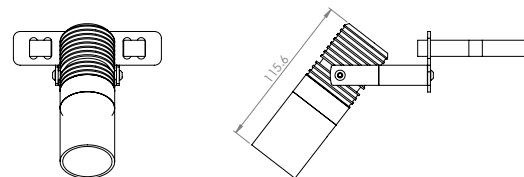
Spot



Glare Guard



Snoot

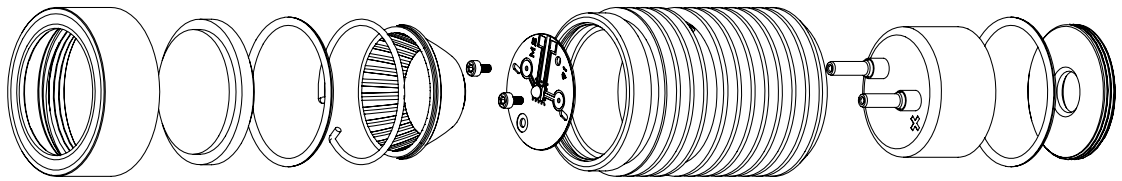


M2 RANGE

The M2 luminaire range is powered by a 2 watt LuxR light engine that offers a wide choice of LED colours. The luminaire was developed to meet the challenge of delivering high quality practical accent lighting with maximum energy efficiency and a long, maintenance-free life.

All LuxR luminaires offer a replaceable LED system using Cree LED chips for maximum performance and long life. Precise LED binning by Cree ensure the same colour temperature across all our luminaires which allows LuxR products to be situated close to one another without the fear of colour variance in the colours.

This luminaire is extremely tough, durable and waterproof, making it ideal for installation in public spaces, large-scale projects and residential areas.



REPLACING COMPONENTS

Firstly remove the luminaire from its recessed location. Unscrew the flange paying close attention to the assembly order or refer to the diagram below. Locate the item that needs to be replaced, it is imperative you replace the component with factory LuxR parts to ensure correct operation of the luminaire.

When reassembling make sure all the components are in their correct order to ensure water tightness and correct light output.

BEAM ANGLES



15°



26°



36°

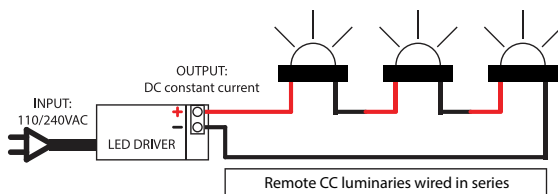


74°

REMOTE DRIVER WIRED IN SERIES

Often referred to as series wiring the current in a series circuit follows one path from start-to-finish with the positive of the second LED connected to the negative of the first. Series wiring allows a single driver to be mounted remotely, powering a number of series fittings.

Often the most simplest of wiring schemes as each fitting is connected to the next in a daisy chain. It removes the need for a smaller 12 volt driver in each fitting.



INTEGRAL (12VAC/24VDC) + 12VAC TRANSFORMER / 24VDC POWER SUPPLY

In a parallel circuit, the positive connections are tied together and brought back to the positive output of the 12VAC Transformer / 24VDC Power Supply. The negative connections are tied together and brought back to the negative output of the 12VAC Transformer / 24VDC Power Supply. The integral driver option allows LuxR fittings to be wired in parallel to existing or new installations where a wire wound or magnetic 12VAC Transformer or 24VDC Power Supply is used.

