

M2 LOUVRE CONFIGURATION

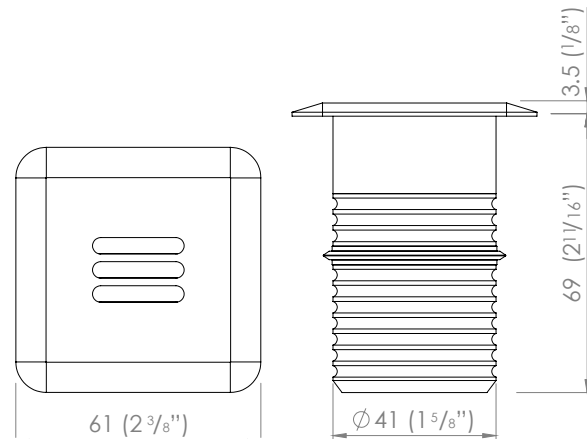
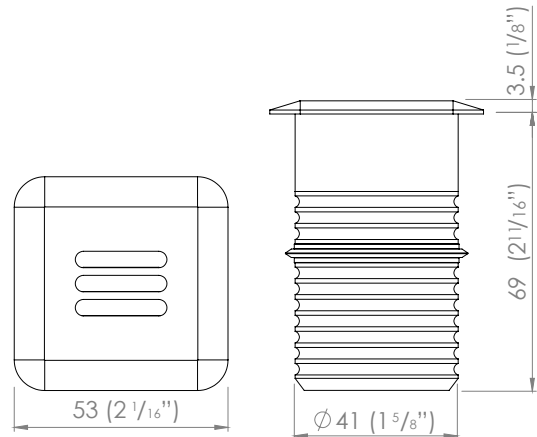
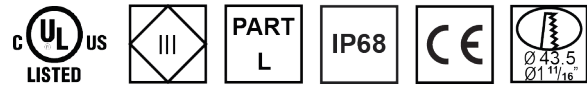
Please fill in appropriate codes into boxes provided

Power	Flange	Driver	Material	Colour	Accessories
M2					
M2 2 Watt	L Louvre LL Large Louvre	R Remote (series) I* Integral (12VAC)* I* Integral (24VDC)* <small>*When ordering, please specify AO or DO options.</small>	C Copper S Stainless Steel A Aluminium* BK Black BZ Bronze W White <small>*Please specify powder coat colour when ordering an aluminium luminaire.</small>	27 2700K 30 3000K 40 4000K R Red G Green B Blue A Amber	PCAN PVC Canister ACAN Aluminium Canister SCAN Security Canister DCAN Deck Canister AFMC Aluminium Floor Mount Canister RP Recessed Plug

MODEL TWO LOUVRE LIGHT

SPECIFICATIONS

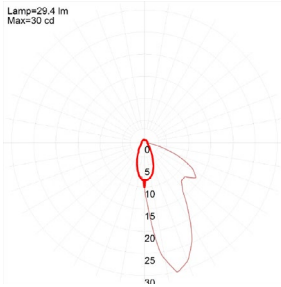
Power	2 Watt
Ingress Protection Rating	IP68
Cable	H05RN-F 2x 0.75mm
Material	- Black/ White/Bronze Powdercoated - Natural Copper - 316 Stainless Steel
Hexcell Louvre	Hexcell Louvre available
Lens Cover	Clear and Frosted
Removable Light Engine	2W 3vf Cree XPG-3 Chip
Colour Temperature	Warm White - 2700K and 3000K Neutral White - 4000k
Optic Degrees	26°, 74°, Oval
CRI	90+ CRI
Efficiency	85lm/w - Delivered from Luminaire with unobstructed beam
Input	700mA Constant current (Remote) 12V AC (Integral) 24V DC (Integral)
Warranty	Electronics Warranty 5 Years
Body Warranty	5 years Aluminium. 10 years Copper and Stainless Steel
Load Rating	Stainless Steel only 5000kg/11000lbs COPPER AND ALUMINIUM ARE SOFT METALS AND ARE NOT SUITABLE FOR DRIVE OVER APPLICATIONS
LED Shield	LED Bypass Shunt LED Reverse Polarity Protection
LED Life Expectancy	50,000 Hours
B Number	94.05



ACCESSORIES

Recessed mounting canisters
(Please refer to the canister spec sheets for more information)

BEAM ANGLES



Asymmetric Beam

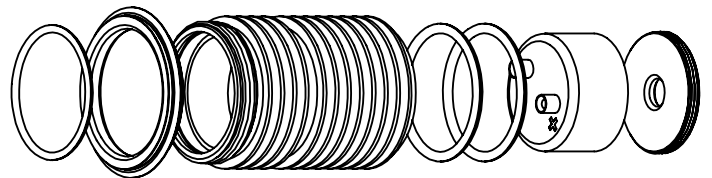
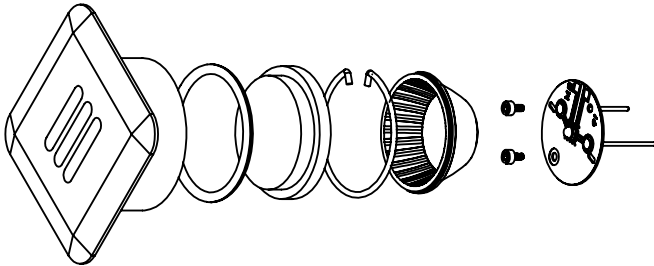


RECOMMENDATIONS

Using the mounting canisters will make recessed installation of this product simple. Core a hole in an existing wall or cast the canister in. Once in place, simply push the fitting into the canister. The luminaire will be retained by a silicon wiper seal.

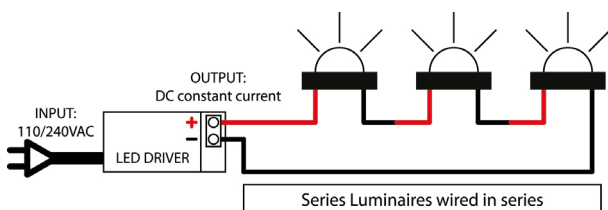
REPLACING COMPONENTS

Firstly remove the luminaire from its recessed location. Unscrew the flange paying close attention to the assembly order or refer to the diagram below. Locate the item that needs to be replaced, it is imperative you replace the component with factory LuxR parts to ensure correct operation of the luminaire. When reassembling make sure all the components are in their correct order to ensure water tightness and correct light output.



REMOTE DRIVER WIRED IN SERIES

Often referred to as series wiring the current in a series circuit follows one path from start-to-finish with the positive of the second LED connected to the negative of the first. Series wiring allows a single driver to be mounted remotely, powering a number of series fittings. Often the most simplest of wiring schemes as each fitting is connected to the next in a daisy chain. It removes the need for a smaller 12 volt driver in each fitting.



INTEGRAL DRIVER + TRANSFORMER

In a parallel circuit all the positive connections are tied together and back to the positive output of the LED driver and all the negative connections are tied together and back to the negative output of the driver. The integral driver option allows LuxR fittings to be wired in parallel to existing or new installations where a wire wound or magnetic transformer is being used.

