

M1 SPOT LIGHT RANGE

PRODUCT CONFIGURATION

Please fill in appropriate codes into boxes provided

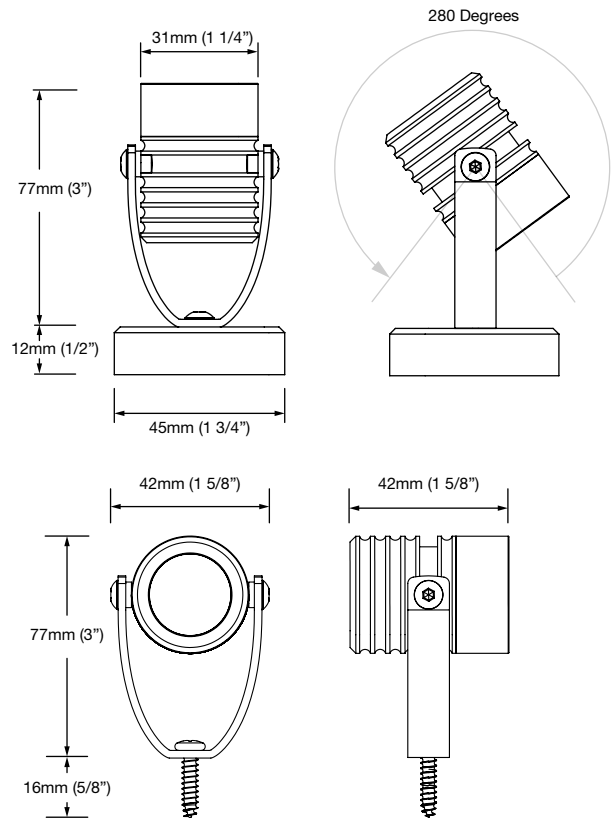
Power <div style="border: 1px solid black; padding: 2px; text-align: center; width: 40px; margin: 5px auto;">M1</div> <p style="font-size: 8px; margin-top: 5px;">M1 1 Watt</p>	Flange <div style="border: 1px solid black; padding: 2px; text-align: center; width: 40px; margin: 5px auto;"> </div> <p style="font-size: 8px; margin-top: 5px;">SP Spot GG Glare Guard</p>	Driver <div style="border: 1px solid black; padding: 2px; text-align: center; width: 40px; margin: 5px auto;"> </div> <p style="font-size: 8px; margin-top: 5px;">R Remote (series) I* Integral (12VAC)* I* Integral (24VDC)*</p> <p style="font-size: 8px; margin-top: 5px;">*When ordering, please specify AC or DC options. Available in Anti-Syphon only.</p>	Material <div style="border: 1px solid black; padding: 2px; text-align: center; width: 40px; margin: 5px auto;"> </div> <p style="font-size: 8px; margin-top: 5px;">C Copper S Stainless Steel A Aluminium* BK Black BZ Bronze W White</p> <p style="font-size: 8px; margin-top: 5px;">*Please specify powder-coat colour when ordering an aluminium luminaire.</p>	Beam <div style="border: 1px solid black; padding: 2px; text-align: center; width: 40px; margin: 5px auto;"> </div> <p style="font-size: 8px; margin-top: 5px;">15 15° TIR 30 30° TIR 53 53° TIR 50+17 50°+17° Oval TIR</p>	Colour <div style="border: 1px solid black; padding: 2px; text-align: center; width: 40px; margin: 5px auto;"> </div> <p style="font-size: 8px; margin-top: 5px;">27 2700K 30 3000K 40 4000K R Red G Green B Blue A Amber</p>	Accessories <div style="border: 1px solid black; padding: 2px; text-align: center; width: 40px; margin: 5px auto;"> </div> <p style="font-size: 8px; margin-top: 5px;">F Frosted B Bracket BS Bracket & Spike WB Weighted Base</p>
---	--	---	---	---	---	--

MODUX ONE BRACKET & SPIKE



SPECIFICATIONS

Power	1 Watt
Ingress Protection Rating	IP68
Material	Natural Copper, 316 Stainless Steel or Powder Coated Aluminium
Removable Light Engine	Pin Mounted 1W Cree XPG-3 Chip
LED Life Expectancy	50,000 Hours L70
LED Shield	LED Bypass Shunt Reverse polarity protection
Colour Temperature	Warm White - 2700K and 3000K Neutral White - 4000k, Red, Green, Blue or Amber
CRI	90+ CRI
Optic Degrees	15°TIR, 30°TIR, 53°TIR, 50+17°TIR
Lens Cover	Clear and Frosted
Efficacy	80 lm/w - Delivered from Luminaire with an unobstructed beam
Input	350mA Constant current (Remote) 12VAC (Integral) 24VDC (Integral)
Warranty	Electronics Warranty 5 Years
Body Warranty	10 years Copper & Stainless Steel 5 years Aluminium



*Due to continued product enhancements, specifications may change without notification

M1 SPOTLIGHTS

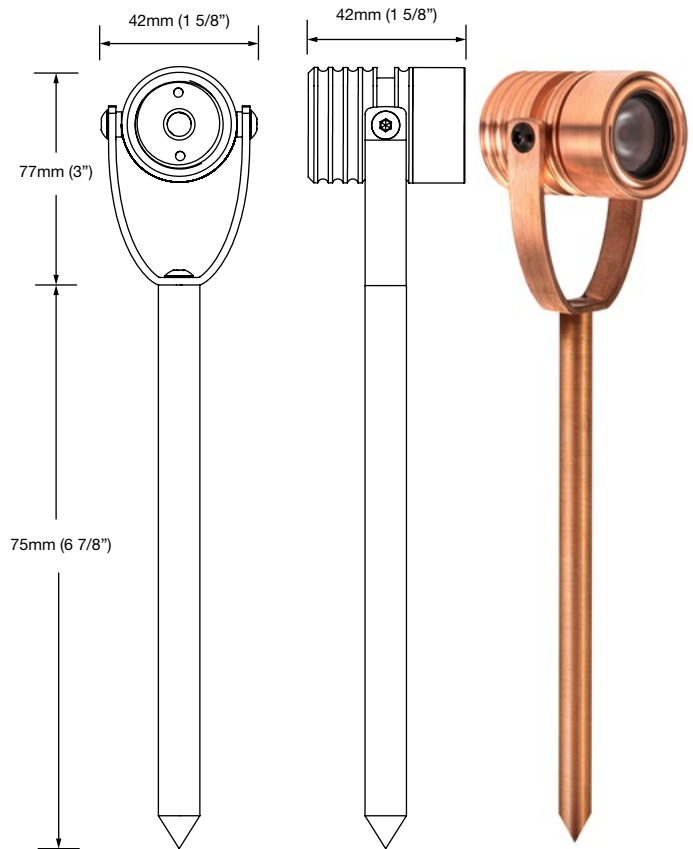
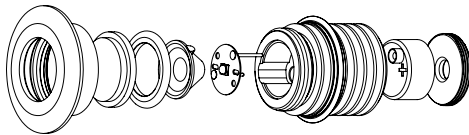
The M1 luminaire range is powered by a 1 watt LuxR light engine that offers a wide choice of LED colours. The luminaire was developed to meet the challenge of delivering high quality practical accent lighting with maximum energy efficiency and a long, maintenance-free life.

All LuxR luminaires offer a replaceable LED system using Cree LED chips for maximum performance and long life. Precise LED binning by Cree ensure the same colour temperature across all our luminaires which allows LuxR products to be situated close to one another without the fear of colour variance in the colours.

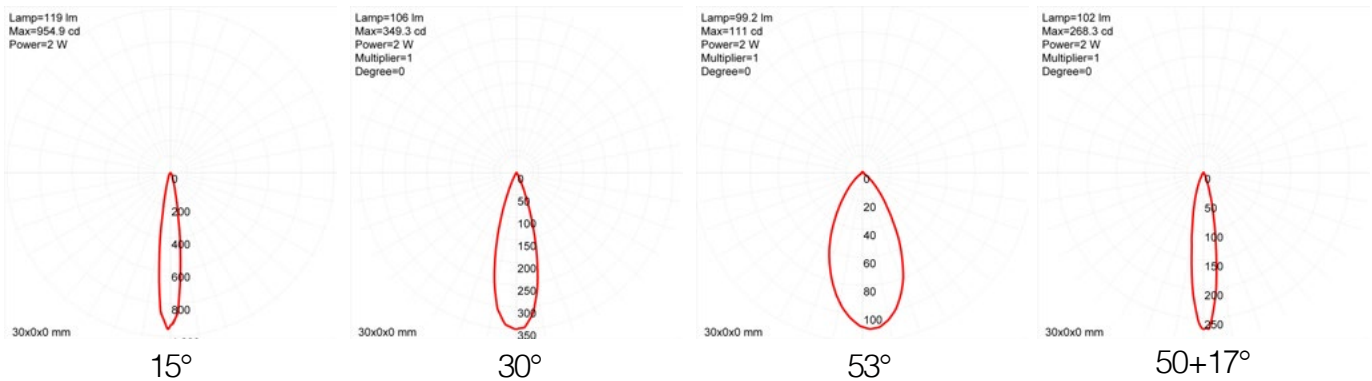
This luminaire is extremely tough, durable and waterproof, making it ideal for installation in public spaces, large-scale projects and residential areas.

REPLACING COMPONENTS

Unscrew the flange paying close attention to the assembly order or refer to the diagram below. Locate the item that needs to be replaced. It is imperative you replace the component with factory LuxR parts to ensure correct operation of the luminaire. When reassembling make sure all the components are in their correct order to ensure water tightness and correct light output.

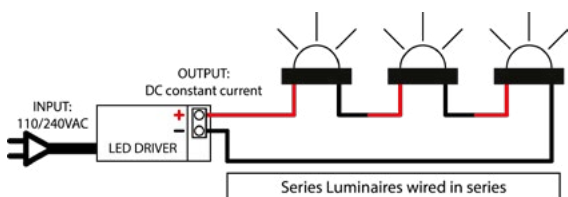


BEAM ANGLES



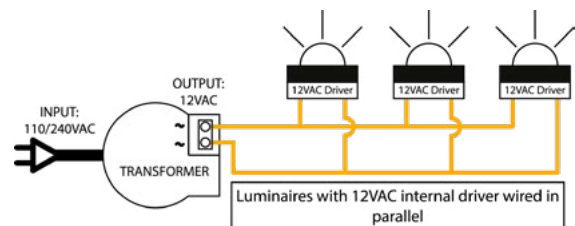
REMOTE DRIVER WIRED IN SERIES

Often referred to as series wiring the current in a series circuit follows one path from start-to-finish with the positive of the second LED connected to the negative of the first. Series wiring allows a single driver to be mounted remotely, powering a number of series fittings. Often the most simplest of wiring schemes as each fitting is connected to the next in a daisy chain. It removes the need for a smaller 12 volt driver in each fitting.



INTEGRAL DRIVER + TRANSFORMER

In a parallel circuit all the positive connections are tied together and back to the positive output of the LED driver and all the negative connections are tied together and back to the negative output of the driver. The integral driver option allows LuxR fittings to be wired in parallel to existing or new installations where a wire wound or magnetic transformer is being used.



*Due to continued product enhancements, specifications may change without notification