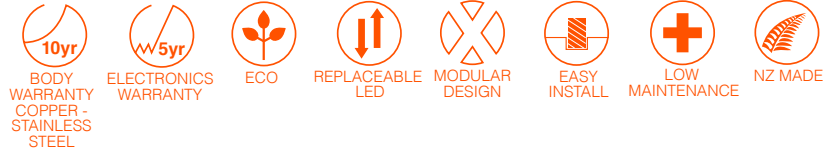




MICRO SCALAR SPIKE SPOT



PRODUCT CONFIGURATION

Please fill in appropriate codes into boxes provided

Power	Flange	Driver	Material	Beam	Colour	Accessories
<input type="text" value="MM"/>	<input type="text"/>	<input type="text"/>	<input type="text"/>	<input type="text"/>	<input type="text"/>	<input type="text"/>
MM 1 Watt	SS Spike Spot SGG Spike Spot with Glare Guard	R Remote (series) I* Integral (12VAC) [†] I* Integral (24VDC) [*]	C Copper S Stainless Steel	16 16" 37 37" 84 84" 13+40 13" + 40"	27 2700K 30 3000K 40 4000K R Red G Green B Blue A Amber	SC* Scalar Spike*

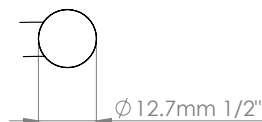
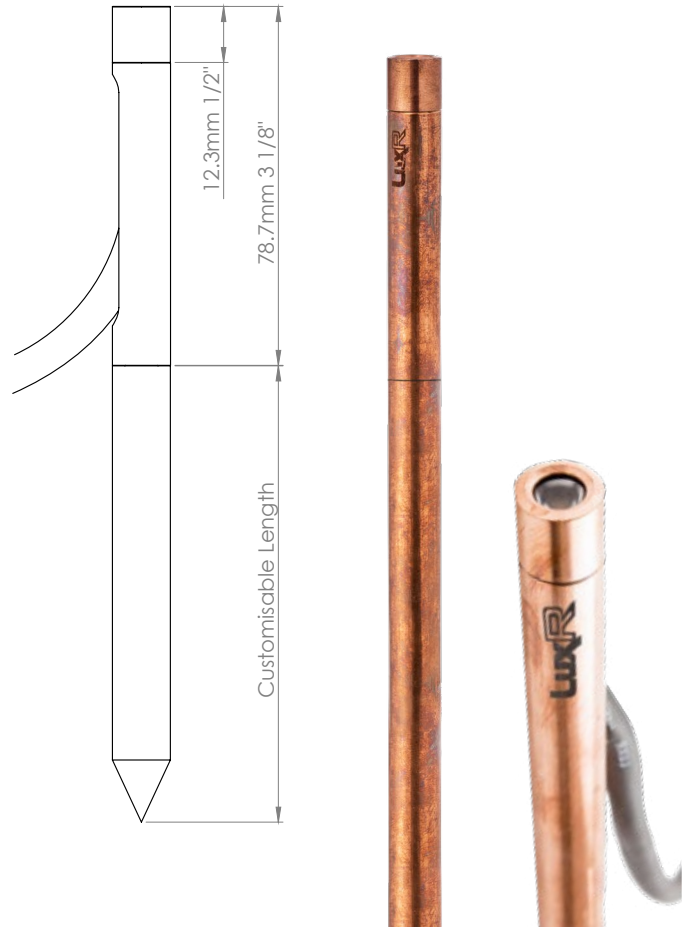
*When ordering, please specify AC or DC options. Available in Anti-Syphon only.

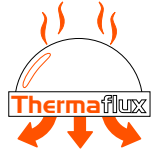
***Ordered separately. Please specify spike size and colour on the next page.**

MICRO SCALAR SPIKE SPOT

SPECIFICATIONS

Power	Up to 1 Watt, (60-360mA)
Ingress Protection Rating	IP68
Material	Natural Copper or 316 Stainless Steel
Removable Light Engine	Pin Mounted 1W Cree XPG-3 Chip
LED Life Expectancy	50,000 Hours L70
Colour Temperature	Warm White - 2700K and 3000K Neutral White - 4000k Red, Green, Blue, Amber
CRI	90+ CRI
Efficacy	70 lm/w - Delivered from Luminaire with an unobstructed beam
Input	60-360mA Constant current (Remote) 12V AC (Integral) 24V DC (Integral)
Warranty	Electronics Warranty 5 Years
Body Warranty	10 years Copper and Stainless Steel
Warranty	Electronics Warranty 5 Years





MICRO RANGE

The Micro luminaire range is powered by a 1 watt LuxR light engine that offers a wide choice of LED colours. The luminaire was developed to meet the challenge of delivering high quality practical accent lighting with maximum energy efficiency and a long, maintenance-free life.

All LuxR luminaires offer a replaceable LED system using Cree LED chips for maximum performance and long life.

Precise LED binning by Cree ensure the same colour temperature across all our luminaires which allows LuxR products to be situated close to one another without the fear of colour variance in the colours.

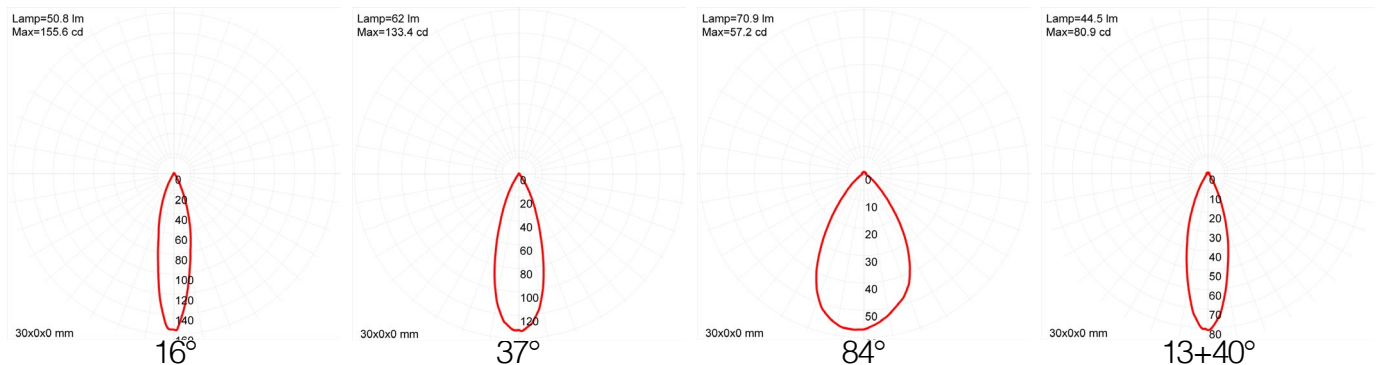
This luminaire is extremely tough, durable and waterproof, making it ideal for installation in public spaces, large-scale projects and residential areas.

SCALAR SPIKE - PLEASE ORDER SEPARATELY WITH CODES BELOW

Spike Code	Size (mm)	Material
MMSCCACC01	100mm	Copper
MMSCCACC02	200mm	Copper
MMSCCACC03	300mm	Copper
MMSCCACC04	400mm	Copper
MMSCCACC05	500mm	Copper
MMSCCACC06	600mm	Copper
MMSCCACC07	700mm	Copper
MMSCCACC08	800mm	Copper
MMSCCACC09	900mm	Copper
MMSCCACC10	1000mm	Copper
MMSCCACC11	1100mm	Copper
MMSCCACC12	1200mm	Copper
MMSCCACC13	1300mm	Copper
MMSCCACC14	1400mm	Copper
MMSCCACC15	1500mm	Copper
MMSCCACC16	1600mm	Copper
MMSCCACC17	1700mm	Copper
MMSCCACC18	1800mm	Copper
MMSCCACC19	1900mm	Copper
MMSCCACC20	2000mm	Copper

Spike Code	Size (mm)	Material
MMSCSACC01	100mm	Stainless Steel
MMSCSACC02	200mm	Stainless Steel
MMSCSACC03	300mm	Stainless Steel
MMSCSACC04	400mm	Stainless Steel
MMSCSACC05	500mm	Stainless Steel
MMSCSACC06	600mm	Stainless Steel
MMSCSACC07	700mm	Stainless Steel
MMSCSACC08	800mm	Stainless Steel
MMSCSACC09	900mm	Stainless Steel
MMSCSACC10	1000mm	Stainless Steel
MMSCSACC11	1100mm	Stainless Steel
MMSCSACC12	1200mm	Stainless Steel
MMSCSACC13	1300mm	Stainless Steel
MMSCSACC14	1400mm	Stainless Steel
MMSCSACC15	1500mm	Stainless Steel
MMSCSACC16	1600mm	Stainless Steel
MMSCSACC17	1700mm	Stainless Steel
MMSCSACC18	1800mm	Stainless Steel
MMSCSACC19	1900mm	Stainless Steel
MMSCSACC20	2000mm	Stainless Steel

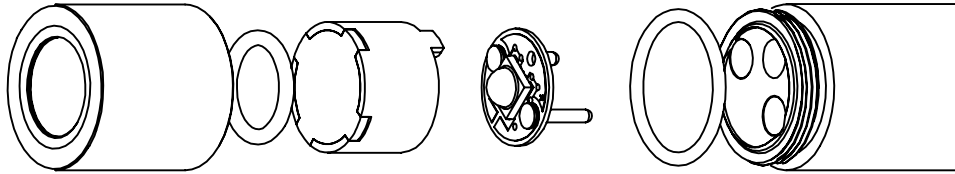
BEAM ANGLES





REPLACING COMPONENTS

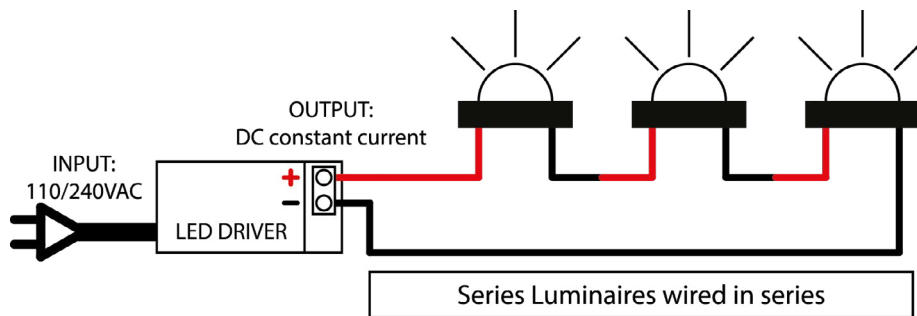
Unscrew the flange paying close attention to the assembly order or refer to the diagram below. Locate the item that needs to be replaced, it is imperative you replace the component with factory LuxR parts to ensure correct operation of the luminaire. When reassembling make sure all the components are in their correct order to ensure water tightness and correct light output.



REMOTE DRIVER WIRED IN SERIES

Often referred to as series wiring the current in a series circuit follows one path from start-to-finish with the positive of the second LED connected to the negative of the first.

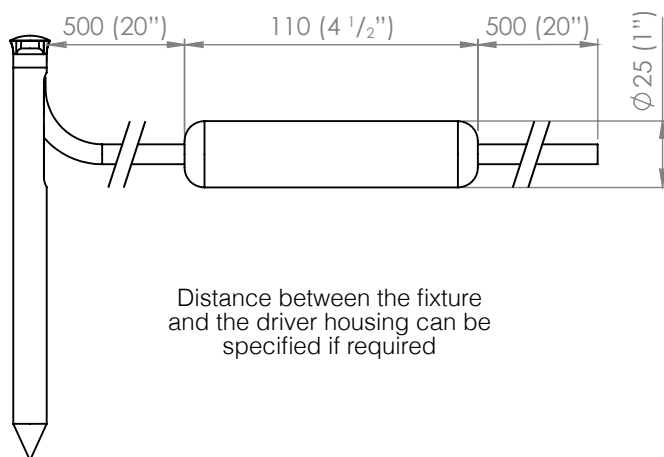
Series wiring allows a single driver to be mounted remotely, powering a number of series fittings. Often the most simplest of wiring schemes as each fitting is connected to the next in a daisy chain. It removes the need for a smaller 12 volt driver in each fitting.



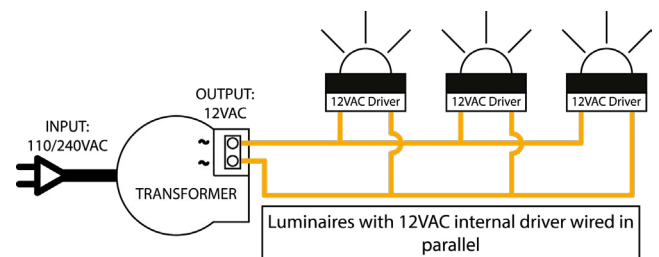
INTEGRAL DRIVER + TRANSFORMER

In a parallel circuit all the positive connections are tied together and back to the positive output of the LED driver and all the negative connections are tied together and back to the negative output of the driver. The integral driver option allows LuxR fittings to be wired in parallel to existing or new installations where a wire wound or magnetic transformer is being used.

INTEGRAL (12VAC-24VDC) DRIVER HOUSING



12VAC Integral Driver



24VDC Integral Driver

