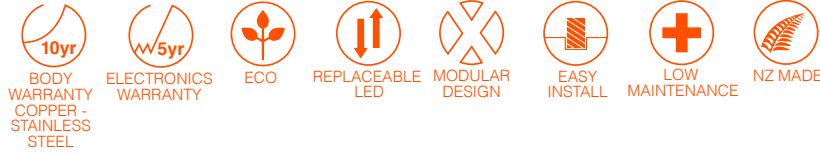




## M4 POOL LIGHT (USA ONLY)



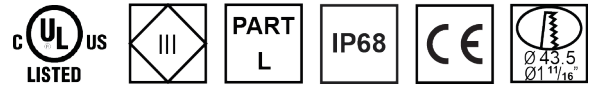
### PRODUCT CONFIGURATION

Please fill in appropriate codes into boxes provided

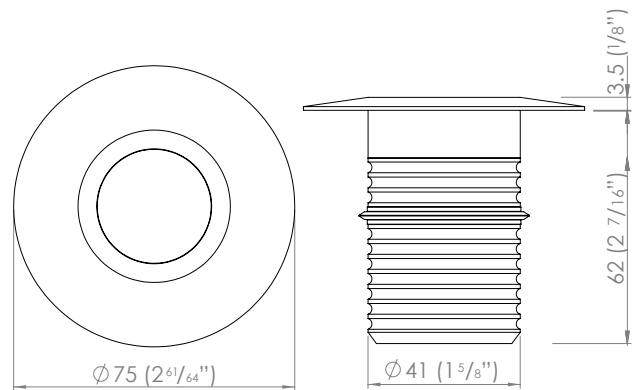
Power	Driver	Material	Beam	Colour	Accessories
M4POOL					
M4POOL 4 Watt	I* Integral (12VAC) I* Integral (24VDC) <small>*When ordering, please specify AC or DC options.</small>	S Stainless Steel	26 26° 36 36° 74 74° 15+40 Oval TIR	27 2700K 30 3000K 40 4000K	F Frosted H Hexcell

MODUX FOUR POOL

### SPECIFICATIONS



<b>Power</b>	4 Watt
<b>Ingress Protection Rating</b>	IP68
<b>Cable</b>	SJOOW
<b>Material</b>	- 316 Stainless Steel - Electropolished
<b>Lens Options</b>	Clear or Frosted
<b>Hexcell Louvre</b>	Hexcell Louvre available
<b>Colour Temperature Options</b>	Warm White - 2700K and 3000K Neutral White - 4000K
<b>Removable Light Engine (LED)</b>	Screw Mounted 4W 6vf Cree™ XHP50 Chip
<b>Optic Degrees</b>	26°, 36°, 74°
<b>CRI</b>	90+ CRI
<b>Efficiency</b>	90lm/w - Delivered from Luminaire with unobstructed beam
<b>Input Options</b>	12V AC (Integral) 24V DC (Integral)
<b>Warranty</b>	Electronics Warranty - 5 Years Stainless Steel Body Warranty - 10 Years
<b>LED Shield</b>	LED Bypass Shunt LED Reverse Polarity Protection
<b>LED Life Expectancy</b>	50,000 Hours L70

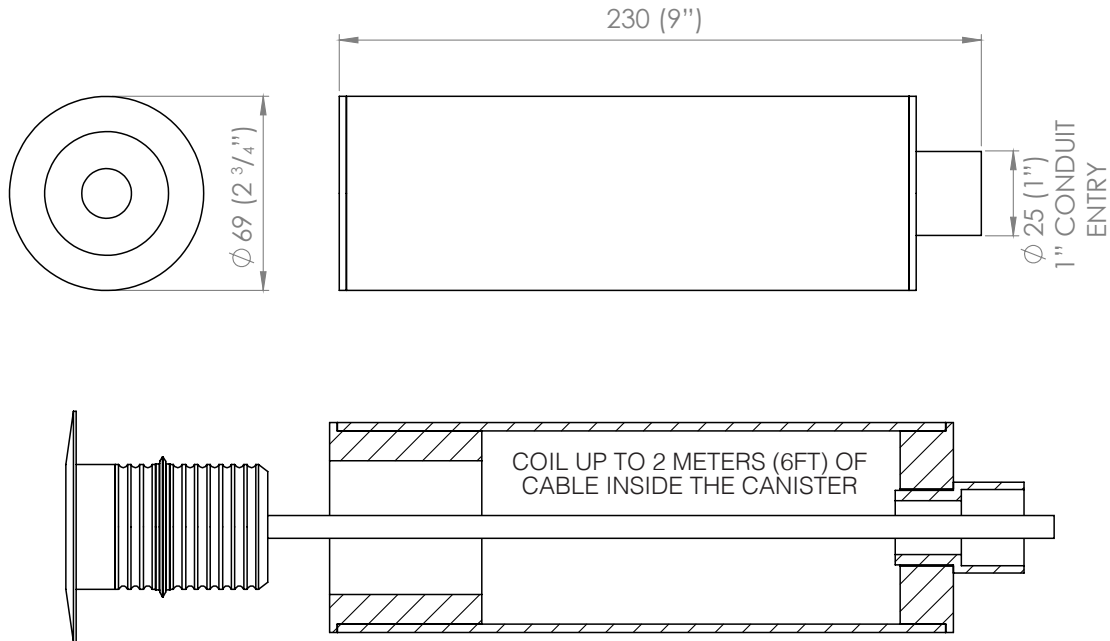


**THESE PRODUCTS ARE LOW VOLTAGE, TWO CONDUCTOR WET NICHE LED SWIMMING POOL AND SPA LUMINAIRES FOR USE WITH AN ISOLATED LOW VOLTAGE POWER SUPPLY APPROVED FOR POOL USE.**

**PLEASE PAY CLOSE ATTENTION TO INSTALLATION INSTRUCTIONS SUPPLIED WITH THIS PRODUCT.**

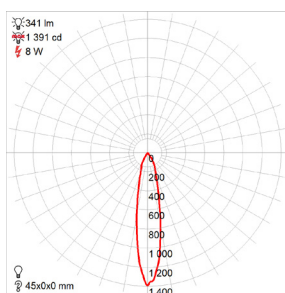


## M4 POOL LIGHT (USA ONLY)

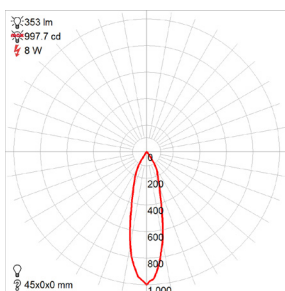


**ALL POOL FIXTURES COME WITH A LUXR POOL CANISTER**

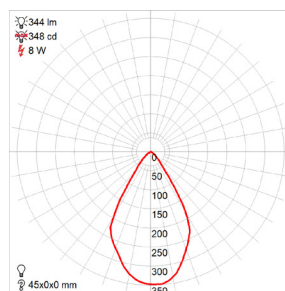
### BEAM ANGLES



26°



36°



74°

### M4 RANGE

The M4 luminaire range is powered by a 4 watt LuxR light engine that offers a wide choice of LED colours. The luminaire was developed to meet the challenge of delivering high quality practical accent lighting with maximum energy efficiency and a long, maintenance-free life.

All LuxR luminaires offer a replaceable LED system using Cree LED chips for maximum performance and long life.

Precise LED binning by Cree ensure the same colour temperature across all our luminaires which allows LuxR products to be situated close to one another without the fear of colour variance in the colours.

This luminaire is extremely tough, durable and waterproof, making it ideal for installation in public spaces, large-scale projects and residential areas.

### RECOMMENDATIONS

LuxR can provide a pool and pond transformer for this product in the USA. Please visit our website for details.

### REPLACING COMPONENTS

Firstly remove the luminaire from its recessed location.

Unscrew the flange paying close attention to the assembly order or refer to the diagram below. Locate the item that needs to be replaced, it is imperative you replace the component with factory LuxR parts to ensure correct operation of the luminaire.

When reassembling make sure all the components are in their correct order to ensure water tightness and correct light output.

