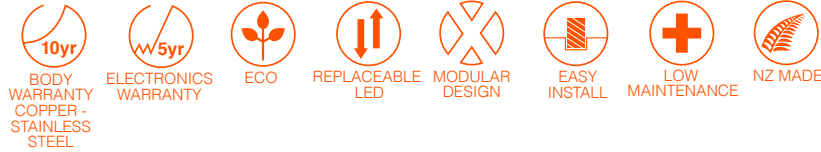
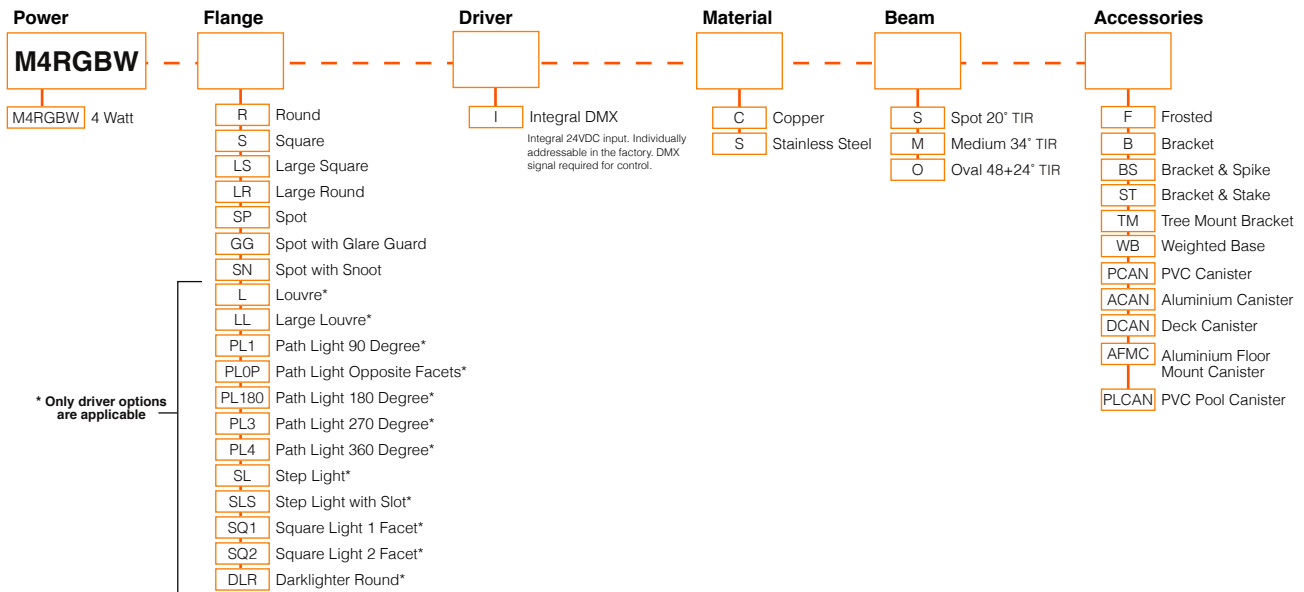


M4 RGBW INTEGRAL



PRODUCT CONFIGURATION

Please fill in appropriate codes into boxes provided



MODUX FOUR RGBW INTEGRAL

SPECIFICATIONS



Input	12-24V DC, DMX Data +, DMX Data -, Data Shield
Power Consumption	4.5W per luminaire maximum (all 4 colours at 100%)
Light Engine	Plug-In dimmable module equipped with a high power Cree 4x1 watt RGBW LED
Cabling	Special hybrid cable comprising of: EIA-485 (aka RS-485) complaint 120 Ohm twisted pair with drain wire in a foil shield. A pair of marine grade tinned 0.75mm ² DC power conductors.
Standards	IP68, LM79, CE, UL, USITT DMX512-A
Efficacy	220lm all colours on - Delivered from Luminaire with unobstructed beam
Beam (FWHM)	Spot (20°), Medium (34°) and Oval (48°+24°)
Cable Length	3 meters (10ft) Standard - (Custom lengths can be specified at an additional charge)
Lens Cover	Clear glass or frosted glass
Colours	Neutral White 4000°k, Red, Green and Blue
Max Run Length	Cabling between the DMX signal controller and the last luminaire must not exceed 200m.
Max Number Bussed	The input impedance of 12K Ohms restricts the maximum number of luminaires to 32 on a bussed network
Addressability	All luminaires have the default address of 1. Please note that fixtures are not individually addressable.
Warranty	Electronics Warranty - 5 Years Copper and Stainless Steel Body Warranty - 10 Years

M4 RGBW

There are a number of features that make the LuxR solution unique:

- The DMX 'dimmer' driver is integrated into the luminaire itself.
- There is only one cable required per luminaire, therefore the cable entry can be sealed with the proven LuxR anti-siphon pot and is replaceable.
- The RGBW LED is a compact single die unit and is easily replaceable.
- The specialised optics superimpose each red, green, blue and white flux radiation directly over the top of each other so that no LED offset effects are created.

The luminaire was developed to meet the challenge of delivering high quality practical accent lighting with maximum energy efficiency and a long, maintenance-free life. All LuxR luminaires offer a replaceable LED system using Cree LED chips for maximum performance and long life.

This luminaire is extremely tough, durable and waterproof, making it ideal for installation in public spaces, large-scale projects and residential areas.

CONSIDERATIONS

Luminaires (per POWER circuit)	Up to 60* per 300W 12-24VDC driver
Luminaires (per DATA circuit without repeaters)	Up to 32 per DMX controller
Power (per luminaire)	4.5W
DMX Compatible	✓
DALI Compatible	-
Wiring	Parallel Wired
Circuit Length*	Medium
Cost Effective*	Medium to large projects
DMX addressing	"In Factory" per fixture
Scene Setting	Dynamic Scenes require DMX Controller
Required Components	1x 12-24 VDC Power Supply per circuit (not supplied) 1x 120 OHM Resistor (not supplied) 1x DMX512 Controller (not supplied) (to provide DMX signal for luminaire instruction)
Additional Considerations*	Hybrid Networks with 3rd party products Hybrid cable DMX+24V No RDM available Planning needed
Defaults settings if NO DMX connected	Rainbow colour scroll scene

*Indicative only, please consult a LuxR Outdoor Lighting Specialist for additional support.

POWER CHARACTERISTICS

- 1 Watt maximum per LED colour emitter
- Maximum power draw per luminaire (R,G,B+W at 100%) including driver losses = 4.5W per luminaire
- Input power must be: 12V min - 28V max DC from a quality power supply.
- LuxR recommends a constant voltage LED switch mode power supply is used such as the Meanwell™ APV series or the EPtronics™ LD series to overcome any volt-drop in the line and provide a clean supply of DC.

Colour	CCT/ Dominant Wavelength Range		Minimum Luminous Flux @350mA	
	Min.	Max.	Flux (lm)	
Colour+ Neutral White	Red	620 nm	630 nm	45.7
	Green	520 nm	535 nm	87.4
	Blue	450 nm	465 nm	13.9
	Neutral White	3700 K	4300 K	80



DRIVER

DMX Integral has a DMX brain inside each fixture. Each luminaire can be individually addressed at the factory, so you can create scenes of scrolling colour moving along your luminaire sets. Planning is required, as this type of circuit requires IP rated cable joints over the Hybrid 24V Power Supply connections and Data Cabling connections.

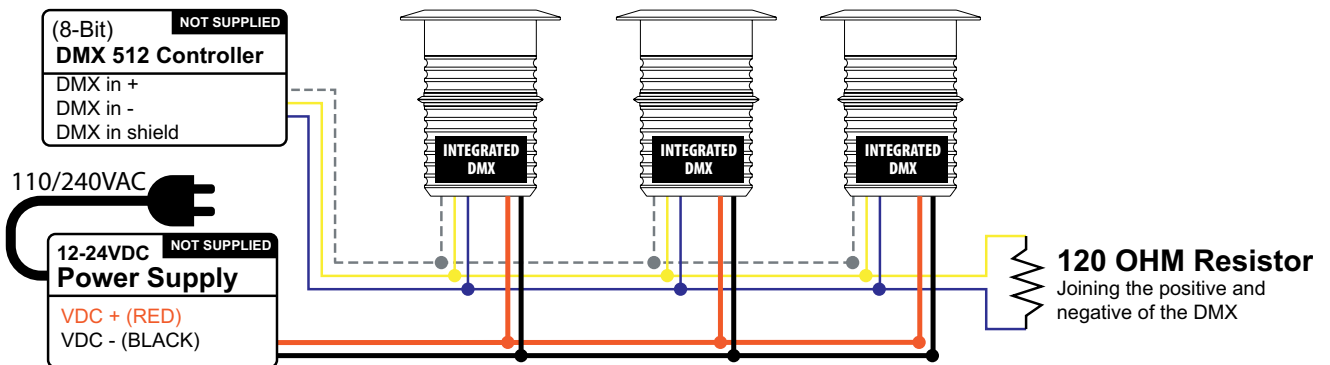
These are not RDM (Remote Device Management) so it is essential to provide complete details of the addresses you require when ordering for extra functionality.

INSTALLATION

Recommended Installation: Wired in parallel, apply a DMX controller to the circuit to create a dynamic range of scenes.

NO DMX Installation: This fixture will scroll a rainbow sequence allowing you to test basic function. There are no other scenes pre-programmed.

WIRING DIAGRAM



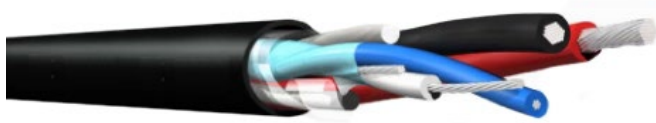
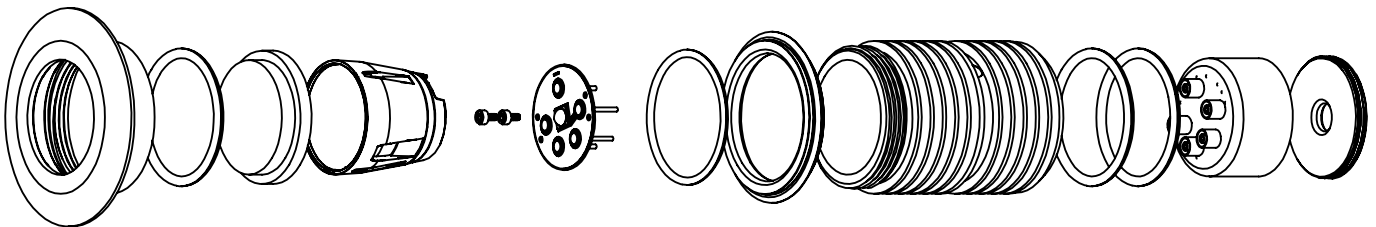
Note: Bussed network functional model of up to 32 luminaires at 4.5W per luminaire without using a repeater.

REPLACING COMPONENTS

Firstly remove the luminaire from its recessed location.

Unscrew the flange paying close attention to the assembly order or refer to the diagram below. Locate the item that needs to be replaced, it is imperative you replace the component with factory LuxR parts to ensure correct operation of the luminaire.

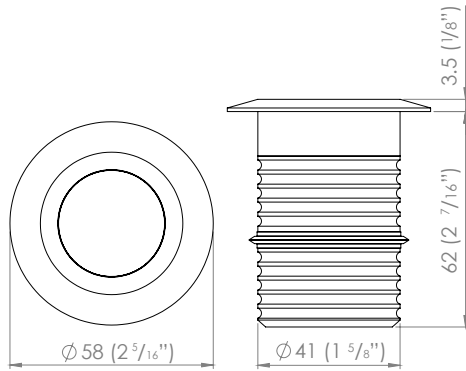
When reassembling make sure all the components are in their correct order to ensure water tightness and correct light output.



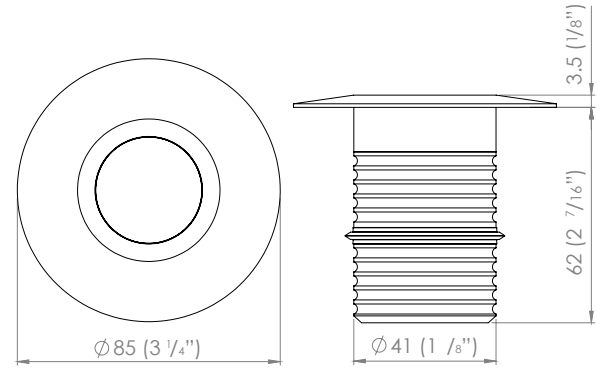
The special highly rated LuxR Hybrid DMX Cable
2x 1mm² tinned power cores, 12-24V DC
Data +, Data -, Data Ground (Drain Wire for shield) of the correct impedance



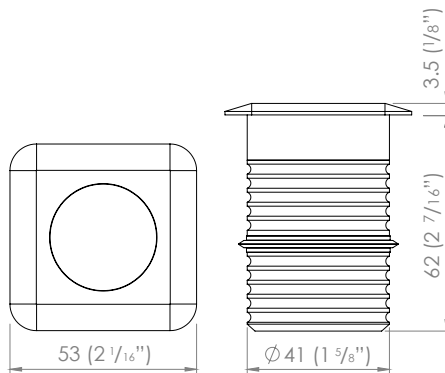
M4 RGBW UPLIGHTER DIMENSIONS



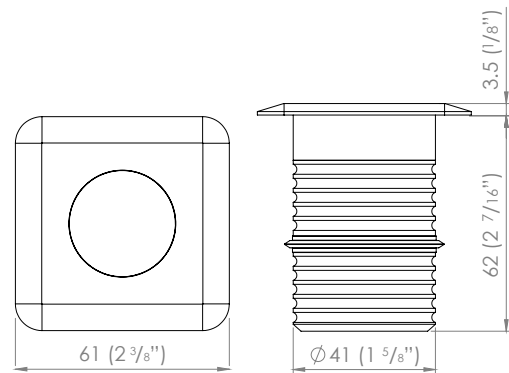
ROUND (R)



LARGE ROUND (LR)

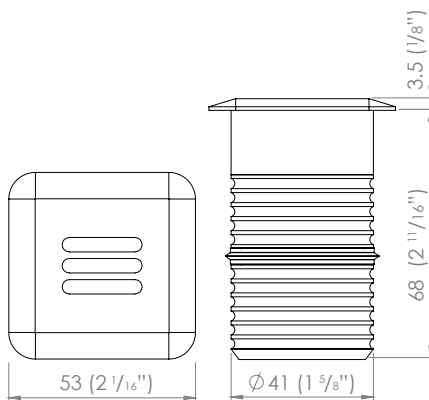


SQUARE (S)

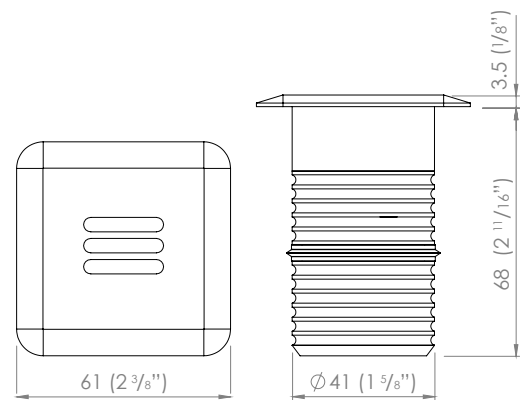


LARGE SQUARE (LS)

M4 RGBW LOUVRE DIMENSIONS



LOUVRE (L)



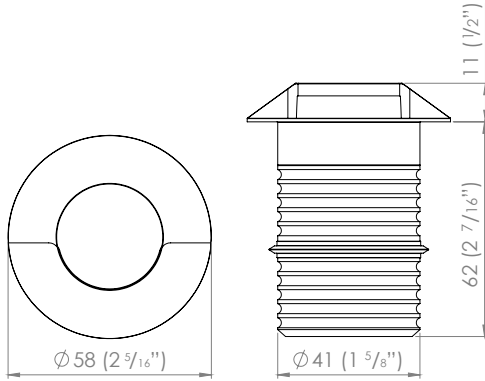
LARGE LOUVRE (LL)

RECOMMENDATIONS

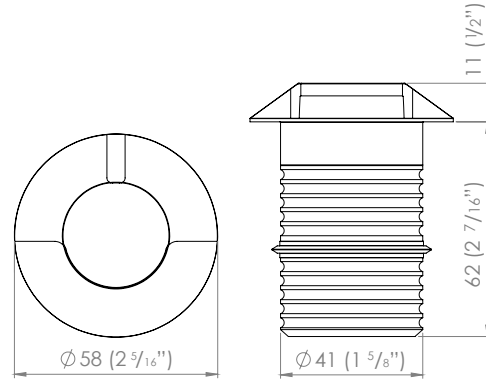
Using the recessed mounting canisters will make recessed installation of this product simple. Core a hole in an existing wall or cast the canister in. Once in place, simply push the fitting into the canister. The luminaire will be retained by a silicon wiper seal.



M4 RGBW STEPLIGHT DIMENSIONS

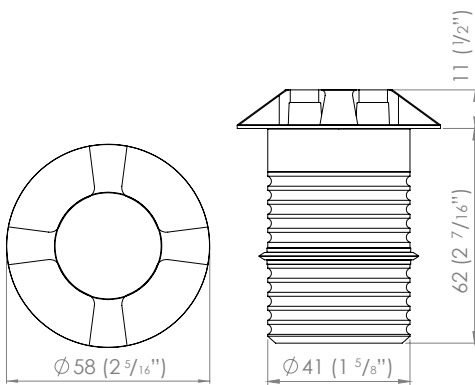


STEP LIGHT (SL)



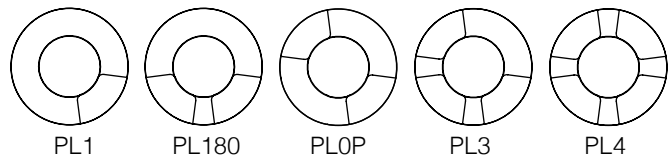
STEP LIGHT WITH SLOT (SLS)

M4 RGBW PATHLIGHT DIMENSIONS

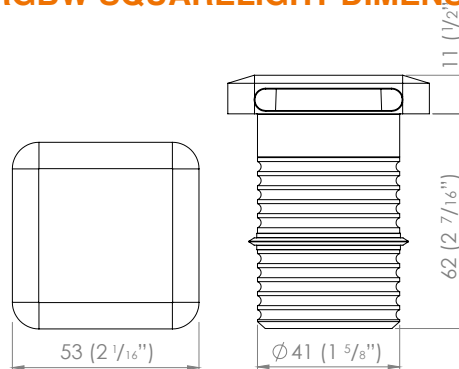


PATH LIGHT (PL)

FLANGE OPTIONS:



M4 RGBW SQUARELIGHT DIMENSIONS



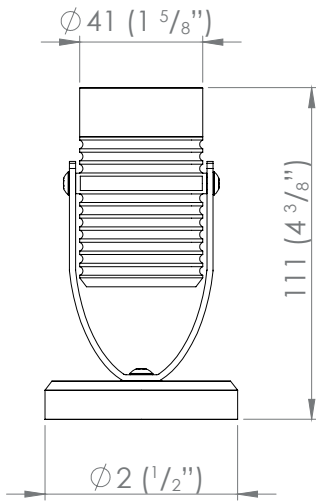
SQUARE LIGHT 1 FACET (SQ1)
SQUARE LIGHT 2 FACET (SQ2)

RECOMMENDATIONS

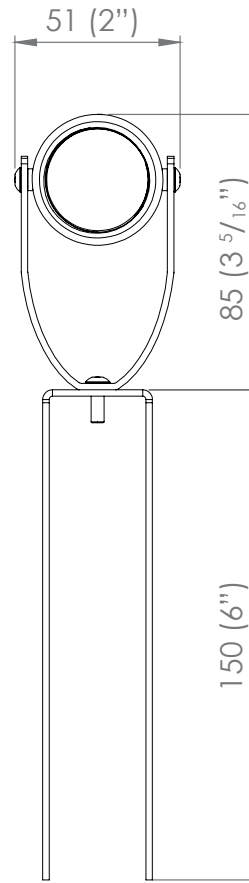
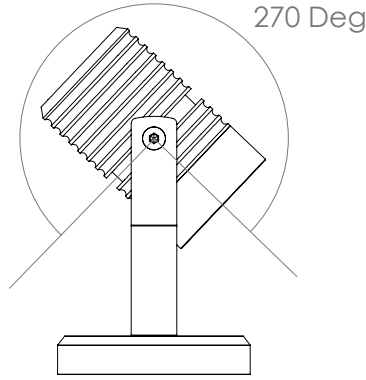
Using the recessed mounting canisters will make recessed installation of this product simple. Core a hole in an existing wall or cast the canister in. Once in place, simply push the fitting into the canister. The luminaire will be retained by a silicon wiper seal.



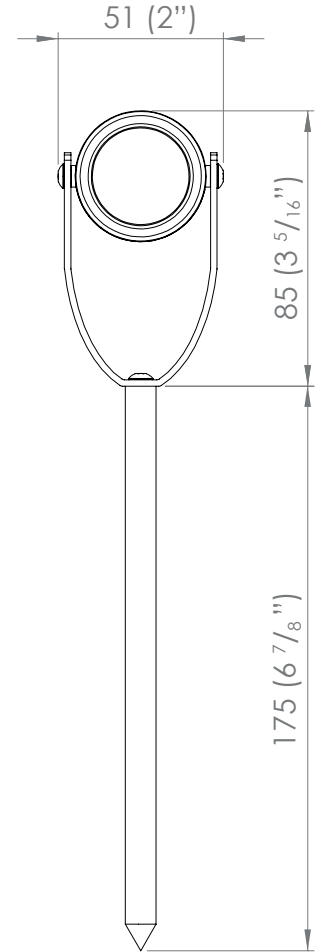
M4 RGBW SPOT LIGHT DIMENSIONS



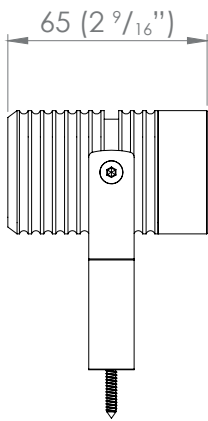
WITH WEIGHTED BASS ACCESSORY (WB)



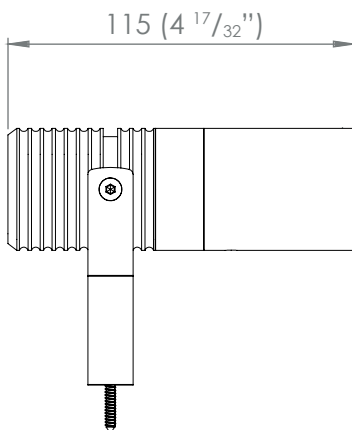
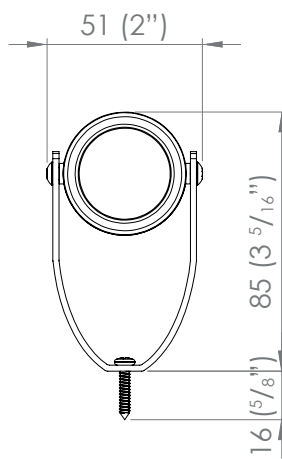
SPOT WITH BRACKET & STAKE ACCESSORY (ST)



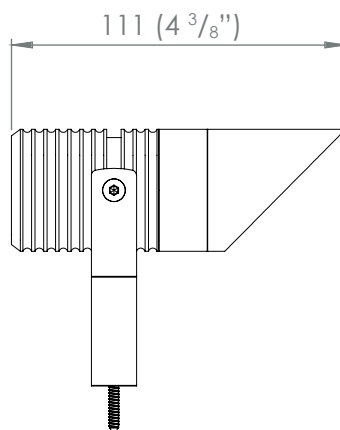
SPOT WITH BRACKET & SPIKE ACCESSORY (BS)



WITH BRACKET ACCESSORY (B)



SPOT WITH SNOOT (SN)



SPOT WITH GLARE GUARD (GG)