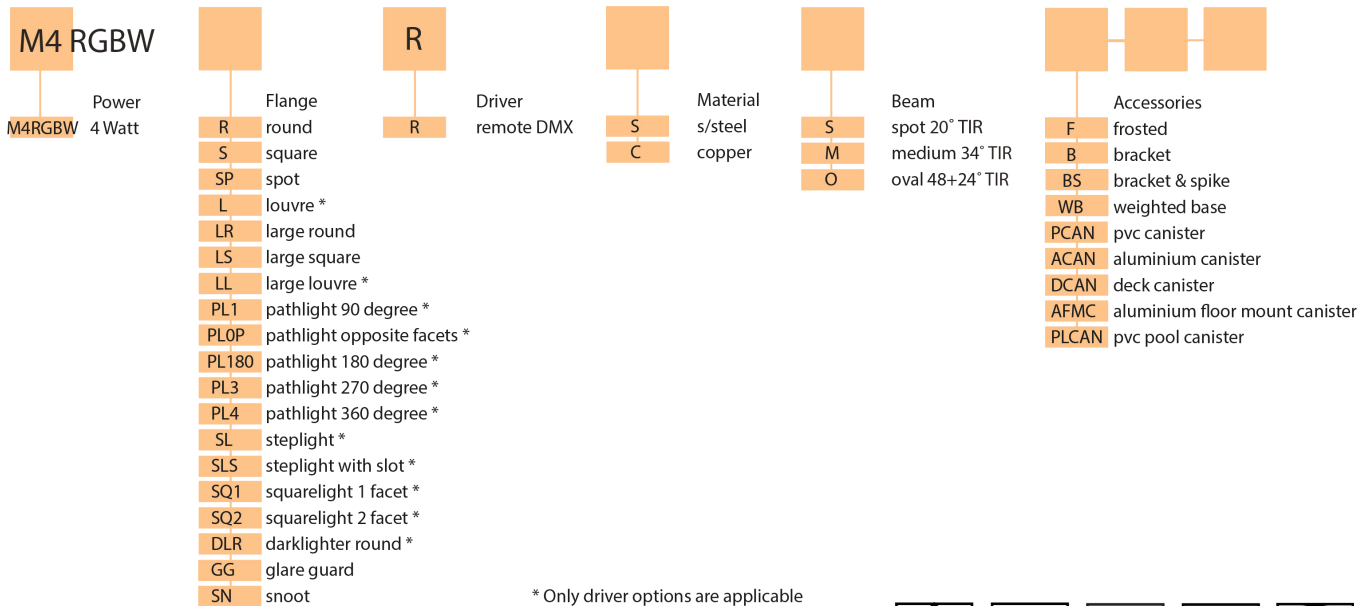


## M4 RGBW REMOTE CONFIGURATION



## SPECIFICATIONS

<b>Input</b>	12-32V DC, DMX Data +, DMX Data -, Data Shield
<b>Power Consumption</b>	4.5W per luminaire maximum (all 4 colours at 100%)
<b>Light Engine</b>	Plug-In dimmable module equipped with a high power Cree 4x1 watt RGBW LED
<b>Cabling</b>	5 Core Control Cable 22 AWG. (Core colours on below diagram)
<b>Standards</b>	IP68, LM79, CE, USITT DMX512-A
<b>Beam (FWHM)</b>	Spot (20°), Medium (34°) and Oval (48°+24°)
<b>Cable Length</b>	3 meters (10ft) Standard - (Custom lengths can be specified at an additional charge)
<b>Lens Cover</b>	Clear glass, frosted glass
<b>Colours</b>	Neutral White 4000°k, Red, Green and Blue
<b>Max Run Length</b>	Cabling between the eldoLED driver and the luminaire must not exceed 200m.
<b>Addressability</b>	All luminaires have the default address of 1
<b>Warranty</b>	Electronics Warranty 5 Years
<b>Body Warranty</b>	10 years for Stainless Steel

# LuxR M4 RGBW REMOTE

## M4 RGBW

There are a number of features that make the LuxR solution unique:

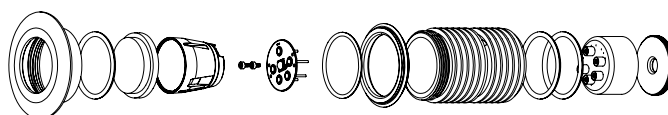
- The RGBW LED is a compact single die unit and is easily replaceable.
- The specialised optics superimpose each red, green, blue and white flux radiation directly over the top of each other so that no LED offset effects are created.

The luminaire was developed to meet the challenge of delivering high quality practical accent lighting with maximum energy efficiency and a long, maintenance-free life.

This luminaire is extremely tough, durable and waterproof, making it ideal for installation in public spaces, large-scale projects and residential areas.

## REPLACING COMPONENTS

Firstly remove the luminaire from its recessed location. Unscrew the flange paying close attention to the assembly order or refer to the diagram below. Locate the item that needs to be replaced, it is imperative you replace the component with factory LuxR parts to ensure correct operation of the luminaire. When reassembling make sure all the components are in their correct order to ensure water tightness and correct light output.

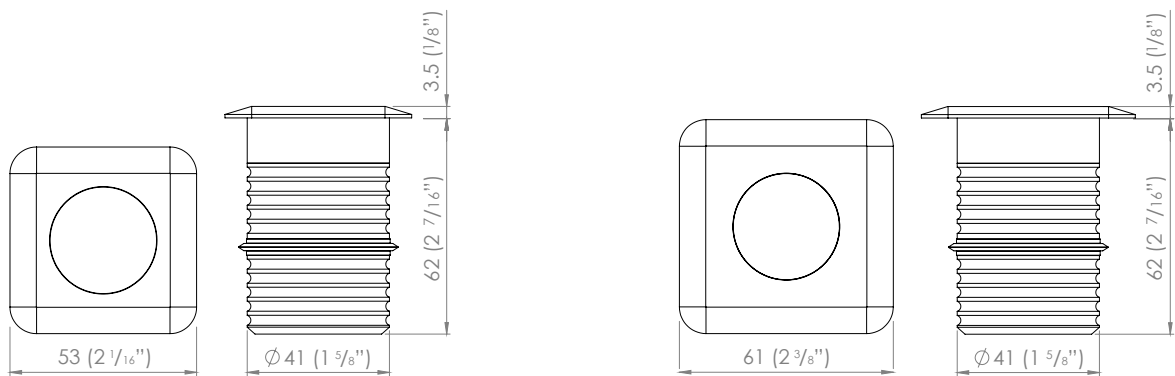
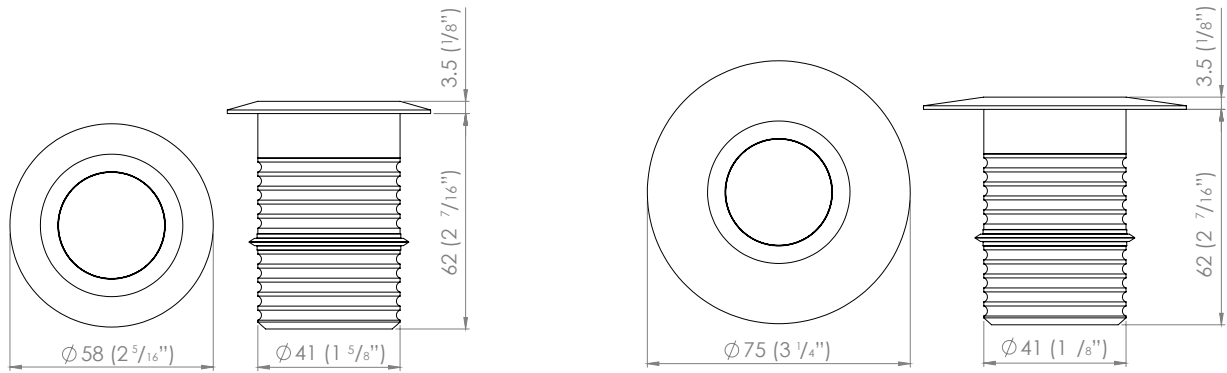


## POWER CHARACTERISTICS

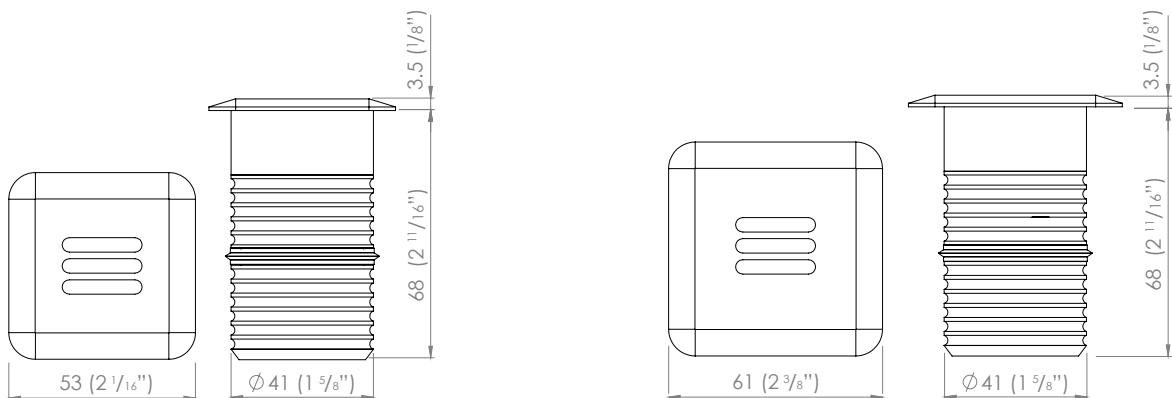
- 1 Watt maximum per LED colour emitter
  - Maximum power draw per luminaire (R,G,B+W at 100%) including driver losses = 4.5W per luminaire
  - Input power must be: 12V min - 32V max DC from a quality power supply.
- LuxR recommends a constant voltage LED switch mode power supply is used such as the Meanwell™ APV series or the EPtronics™ LD series to overcome any volt-drop in the line and provide a clean supply of DC.

Color		CCT / Dominant Wavelength Range		Minimum Luminous Flux @ 350 mA
		Min.	Max.	Flux (lm)
Color + Neutral White	Red	620 nm	630 nm	45.7
	Green	520 nm	535 nm	87.4
	Blue	450 nm	465 nm	13.9
	Neutral White	3700 K	4300 K	80

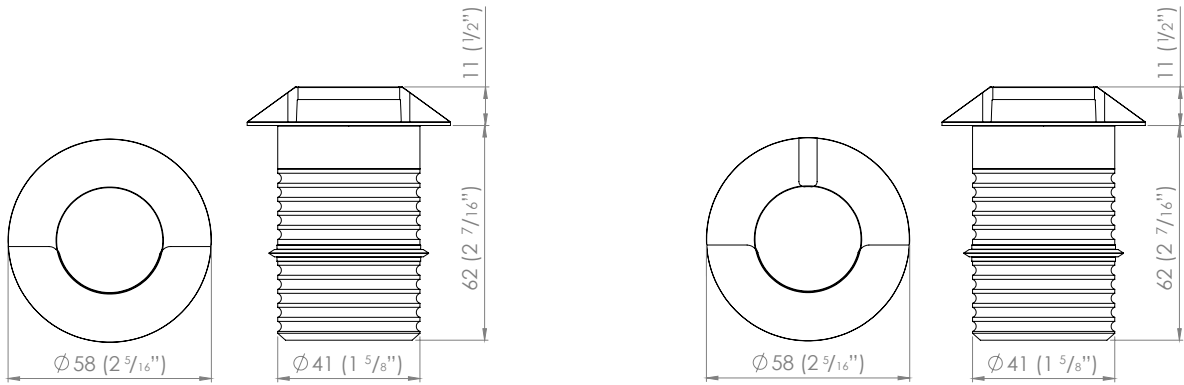
## M4 RGBW UPLIGHTER DIMENSIONS



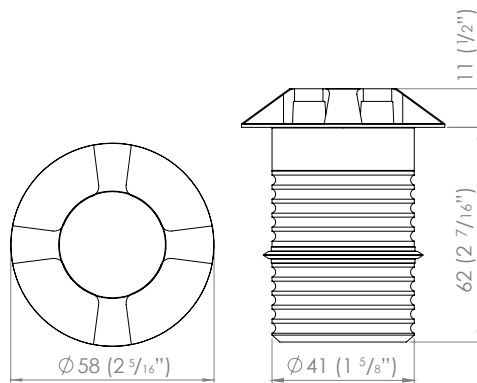
## M4 RGBW LOUVRE DIMENSIONS



## M4 RGBW STEPLIGHT DIMENSIONS



## M4 RGBW PATHLIGHT DIMENSIONS



## M4 RGBW SQUARELIGHT DIMENSIONS

