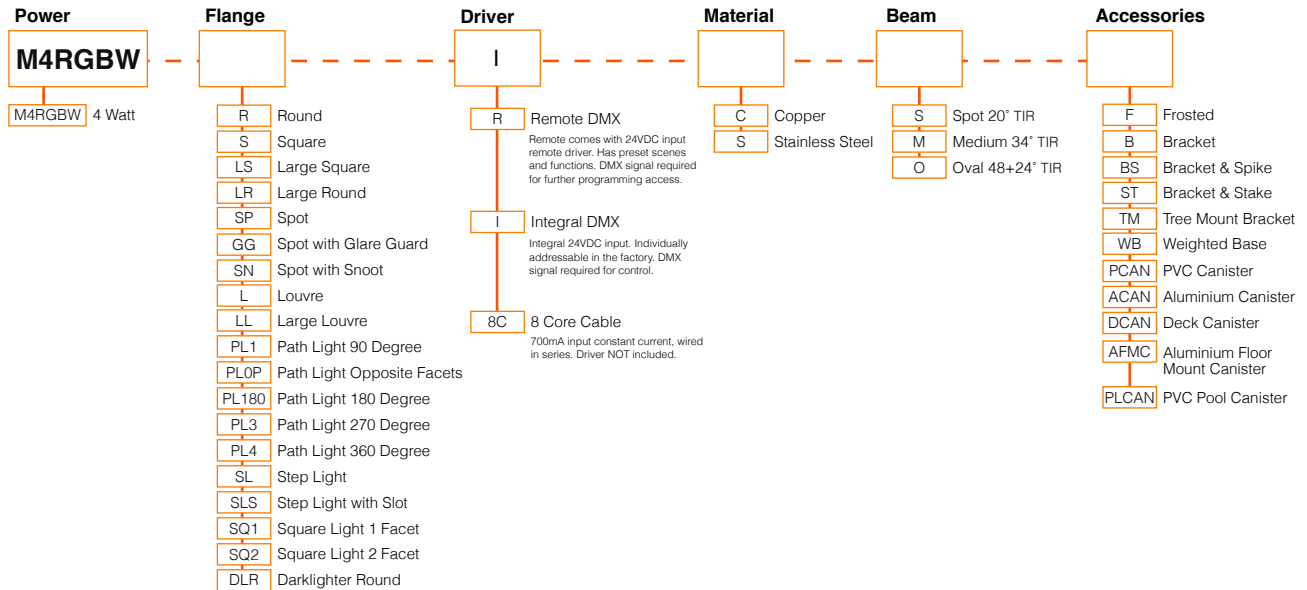




M4 RGBW INTEGRAL CONFIGURATION

Please fill in appropriate codes into boxes provided



MODUX FOUR RGBW ALL



SPECIFICATIONS

Input	12-24V DC, DMX Data +, DMX Data -, Data Shield
Power Consumption	4.5W per luminaire maximum (all 4 colours at 100%)
Light Engine	Plug-In dimmable module equipped with a high power Cree 4x1 watt RGBW LED
Cabling	Special hybrid cable comprising of: EIA-485 (aka RS-485) complaint 120 Ohm twisted pair with drain wire in a foil shield. A pair of marine grade tinned 0.75mm ² DC power conductors
Standards	IP68, LM79, CE, UL, USITT DMX512-A
Efficacy	220lm all colours on - Delivered from Luminaire with unobstructed beam
Beam (FWHM)	Spot (20°), Medium (34°) and Oval (48°+24°)
Cable Length	3 meters (10ft) Standard - (Custom lengths can be specified at an additional charge)
Lens Cover	Clear glass, frosted glass
Colours	Neutral White 4000°k, Red, Green and Blue
Max Run Length	Cabling between the DMX signal controller and the last luminaire must not exceed 200m.
Max Number Bussed	The input impedance of 12K Ohms restricts the maximum number of luminaires to 32 on a bussed network
Addressability	All luminaires have the default address of 1. Please note that fixtures are not individually addressable.
Warranty	Electronics Warranty 5 Years
Body Warranty	10 years for Stainless Steel and Copper

LuxR M4 RGBW INTEGRAL

M4 RGBW

There are a number of features that make the LuxR solution unique:

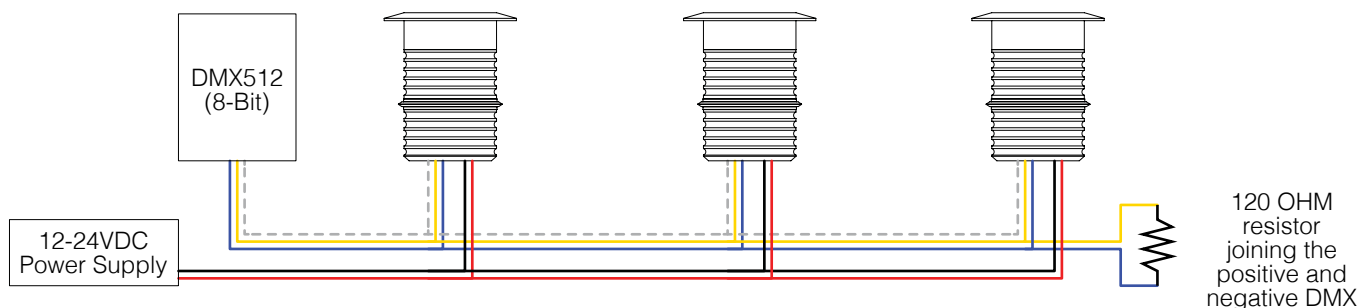
- The DMX 'dimmer' driver is integrated into the luminaire itself.
- There is only one cable required per luminaire, therefore the cable entry can be sealed with the proven LuxR anti-siphon pot and is replaceable.
- The RGBW LED is a compact single die unit and is easily replaceable.
- The specialised optics superimpose each red, green, blue and white flux radiation directly over the top of each other so that no LED offset effects are created.

The luminaire was developed to meet the challenge of delivering high quality practical accent lighting with maximum energy efficiency and a long, maintenance-free life. All LuxR luminaires offer a replaceable LED system using Cree LED chips for maximum performance and long life.

This luminaire is extremely tough, durable and waterproof, making it ideal for installation in public spaces, large-scale projects and residential areas.

INSTALLATION

- Multiples of this model can be run from a single signal source using a DMX signal splitter
- A hybrid network can be created from a splitter which feeds both LuxR RGBW luminaires and 3rd-party products on separate bus networks.



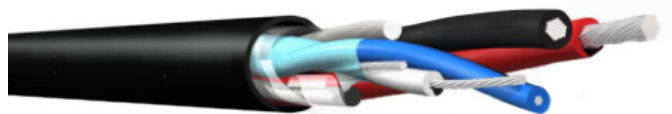
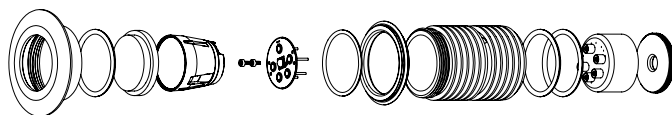
Bussed network functional model of up to 32 luminaires at 4.5W per Luminaire

POWER CHARACTERISTICS

- 1 Watt maximum per LED colour emitter
 - Maximum power draw per luminaire (R,G,B+W at 100%) including driver losses = 4.5W per luminaire
 - Input power must be: 12V min - 28V max DC from a quality power supply.
- LuxR recommends a constant voltage LED switch mode power supply is used such as the Meanwell™ APV series or the EP-tronics™ LD series to overcome any volt-drop in the line and provide a clean supply of DC.

REPLACING COMPONENTS

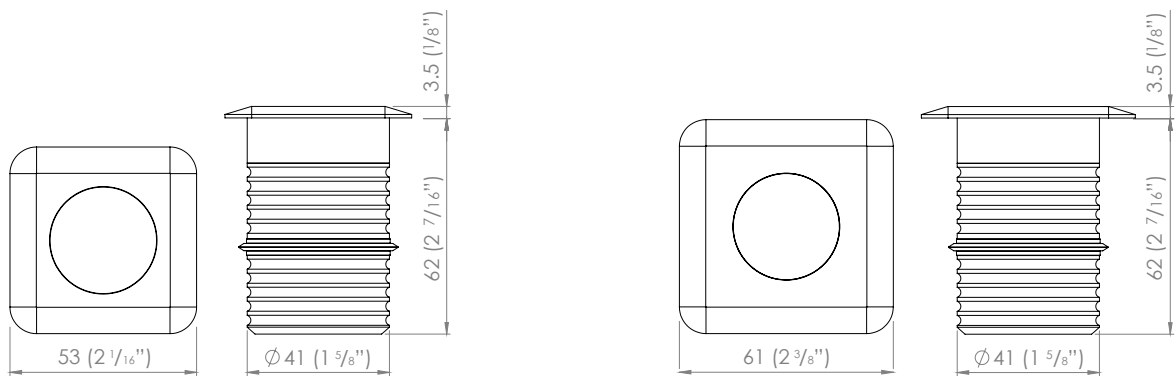
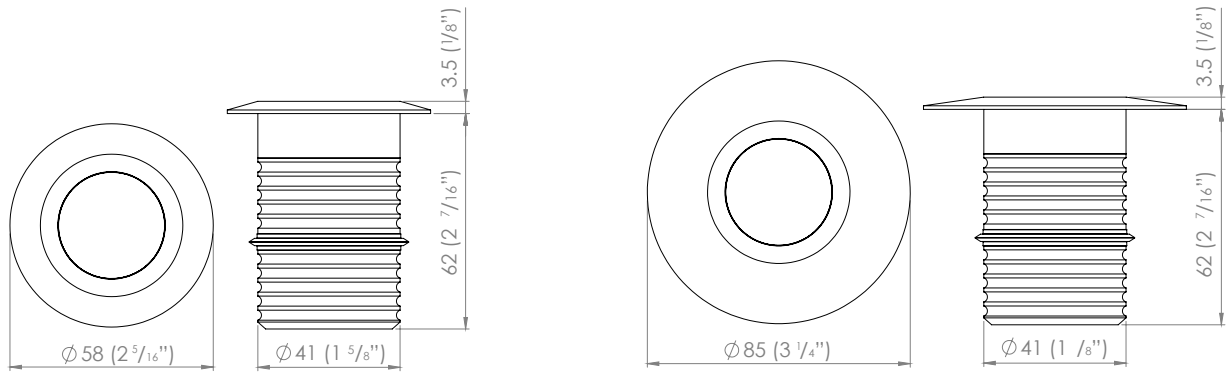
Firstly remove the luminaire from its recessed location. Unscrew the flange paying close attention to the assembly order or refer to the diagram below. Locate the item that needs to be replaced, it is imperative you replace the component with factory LuxR parts to ensure correct operation of the luminaire. When reassembling make sure all the components are in their correct order to ensure water tightness and correct light output.



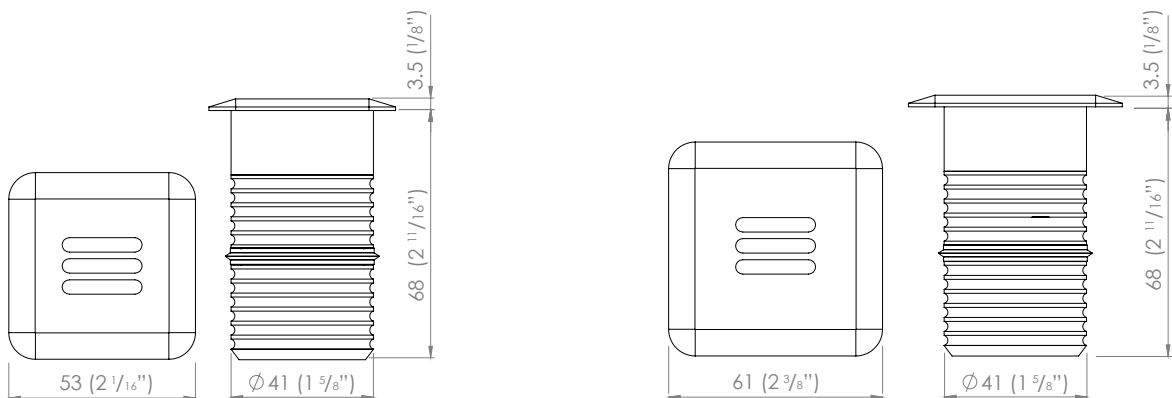
The special highly rated LuxR Hybrid DMX Cable 2x 1mm² tinned power cores, 12-24V DC Data +, Data -, Data Ground (Drain Wire for shield) of the correct impedance

Color		CCT / Dominant Wavelength Range		Minimum Luminous Flux @ 350 mA
		Min.	Max.	Flux (lm)
Color + Neutral White	Red	620 nm	630 nm	45.7
	Green	520 nm	535 nm	87.4
	Blue	450 nm	465 nm	13.9
	Neutral White	3700 K	4300 K	80

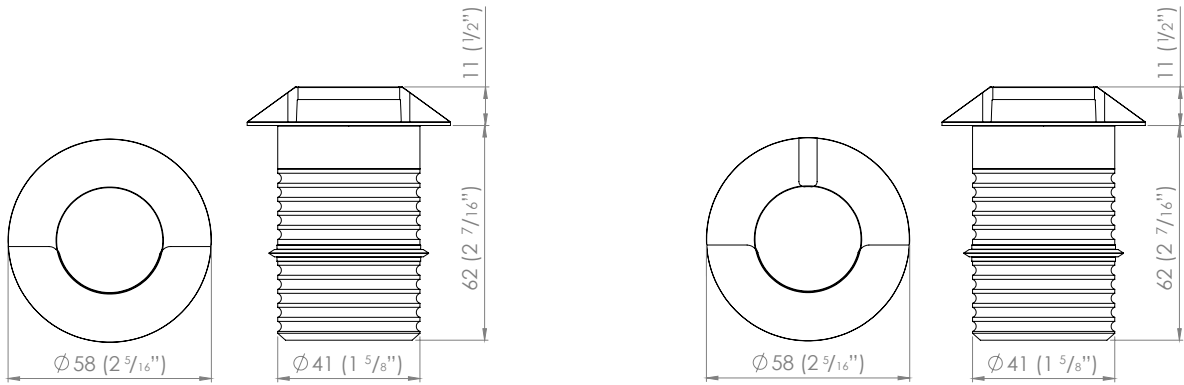
M4 RGBW UPLIGHTER DIMENSIONS



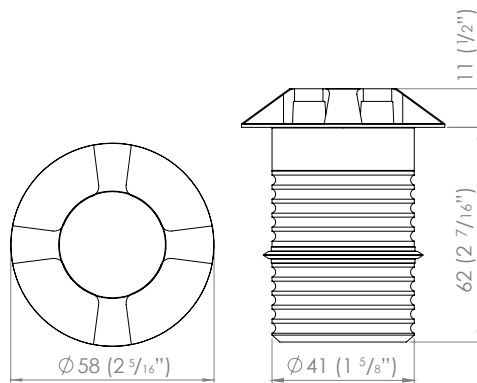
M4 RGBW LOUVRE DIMENSIONS



M4 RGBW STEPLIGHT DIMENSIONS



M4 RGBW PATHLIGHT DIMENSIONS



M4 RGBW SQUARELIGHT DIMENSIONS

