

The GE/Lightech LED-6DC-350 is a 6 Watt electronic, constant current, remote driver available to power Hunza series version PURE LED fixtures in the USA market. It is non-dimmable.

For exterior use, it is highly recommended to install this in a weatherproof box, available as an option from Hunza. The PC-17-02 weatherproof box is a requirement for UL compliance.

When this driver is used as a remote power supply, SERIES WIRING is required to connect the fixtures. Please refer to the Hunza PURE LED Series Wiring page for more information on wiring diagrams and fixture loads per driver.

SPECIFICATIONS



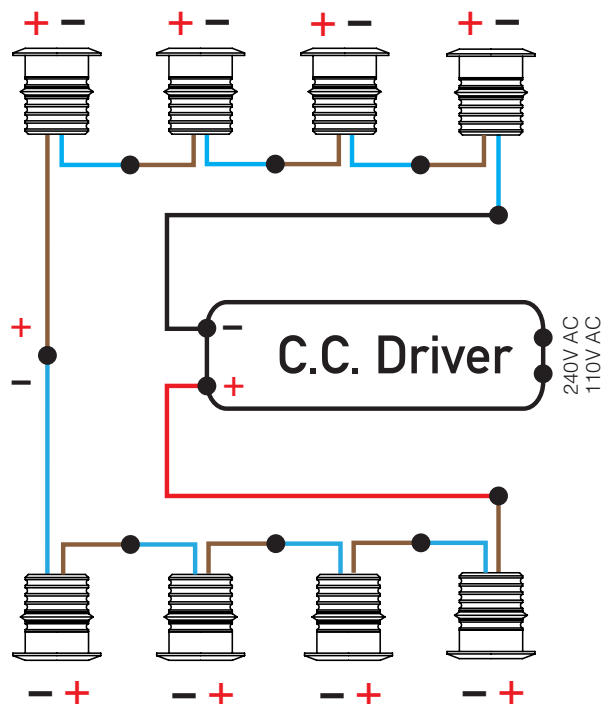
Output	350mA
Input	120-277VAC 50/60Hz
Voltage range (230V)	2V - 20V DC
Voltage range (110V)	2V - 28V max
Max no. luminaires (230V) @ 3Vf	14 luminaires @ 360mA (for 3Vf LEDs) with no allowance for volt drop
Max no. luminaires (110V) @ 3Vf	9 luminaires @ 360mA (for 3Vf LEDs) with no allowance for volt drop
Max no. luminaires (230V) @ 6Vf	7 luminaires @ 360mA (for 6Vf LEDs) with no allowance for volt drop
Max no. luminaires (110V) @ 6Vf	4 luminaires @ 360mA (for 6Vf LEDs) with no allowance for volt drop
Terminals	Input and output terminal blocks wire cross-section up to 2,5 mm ² AWG13
Ingress Protection Rating	IP20
Compatibility	Modux: Micro, 1, 4 or 4 products
Protection	Double insulated Class II, Isolated SELV output
Driver Efficiency	70-90% depending on configuration
Standards	EN 50172 (VDE0108), EN 55015, EN 60598-2-22, EN 61000-3-2, EN 61000-3-3, EN 61347-1, EN 61347-2-13, EN 61547, VDE 0710-T14, UL recognised
Warranty	Warranty 5 years

Setting the DIP switch configuration as per the overleaf will provide the desired current setting.

CURRENT SETTING DIP SWITCH

SECONDARY	#1	#2	#3	#4
60mA	—	—	—	—
80mA	—	—	—	ON
100mA	—	—	ON	—
120mA	—	—	ON	ON
140mA	—	ON	—	—
160mA	—	ON	—	ON
180mA	—	ON	ON	—
200mA	—	ON	ON	ON
220mA	ON	—	—	—
240mA	ON	—	—	ON
260mA	ON	—	ON	—
280mA	ON	—	ON	ON
300mA	ON	ON	—	—
320mA	ON	ON	—	ON
340mA	ON	ON	ON	—
360mA	ON	ON	ON	ON

SERIES WIRING SCHEMATIC



INSTALLATION INSTRUCTIONS

To preserve the validity of your warranty and ensure long term performance of your LuxR products, it is critical to follow the correct installation procedures.

The installation of LuxR Modux range of luminaires must be carried out by a suitably qualified person in accordance with local and/or international standards. When working on an electrical system all precautions should be taken to prevent electrical shock.

When the driver device has been switched off there a residual voltage, which can be apparent for up to 10 minutes. Connecting LEDs to a driver device within this time, without first discharging the secondary output will damage the LED's. To prevent damage of the LED, ensure that the circuit is switched off and the driver is not live, before connecting any LED's.