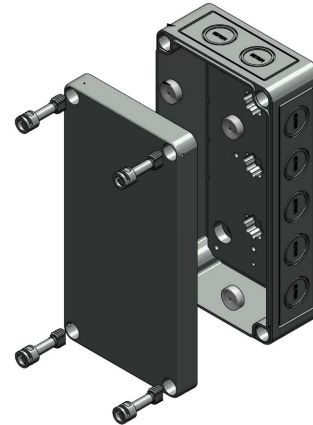


The LuxR LD-12W-36-CO350 is a 12 Watt electronic, constant current, remote driver available to power LuxR series version fixtures in the USA market. It is non-dimmable.

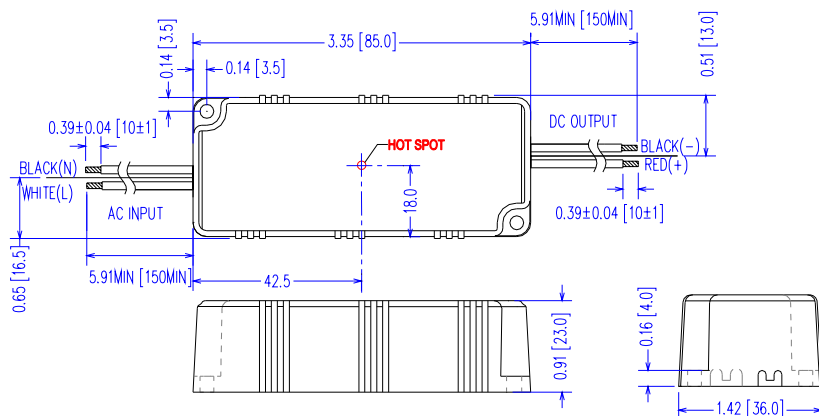
For exterior use, it is highly recommended to install this in a weatherproof box, available as an option from LuxR. The PC-17-02 weatherproof box is a requirement for UL compliance.

When this driver is used as a remote power supply, SERIES WIRING is required to connect the fixtures. Please refer to the wiring diagram overleaf.



Weatherproof enclosure (PC-17-02)

Dimensions: 175mmx125mmx100mm 7" X 5" X4"



SPECIFICATIONS

Input Voltage	100 to 277VAC
Output Voltage	18V-36V dc
Output Current	350mA
Wattage	12.6W max
Temperature range	-25...+60°C
Dimensions	23x36x124mm (7/8" x 1 7/16" x 3 3/8")
Standards	IP66, EN, CE, CSA, UL Recognized
Ordering Code	LD-12W-36-CO350
Ingress Protection Rating	IP66
Compatibility	Modux: Micro, 1, 2 and 4 products
Warranty	Warranty 5 years



