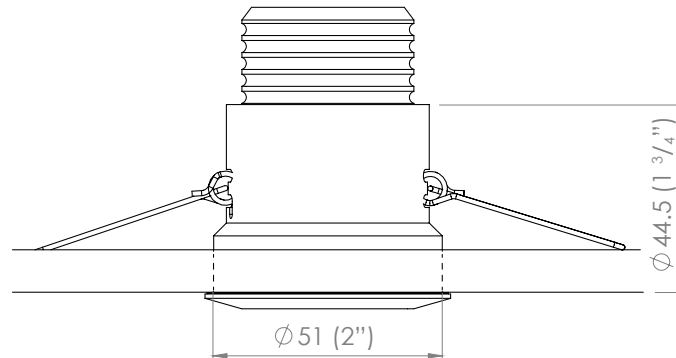




M2 & M4 ALUMINIUM WALL AND CEILING CANISTER INSTALLATION GUIDE

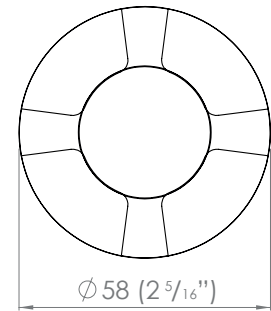
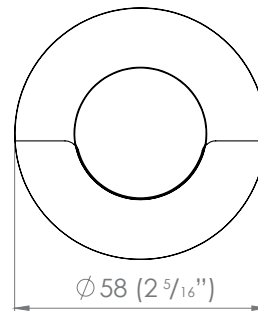
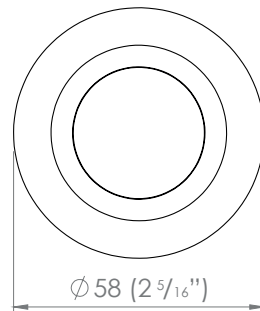
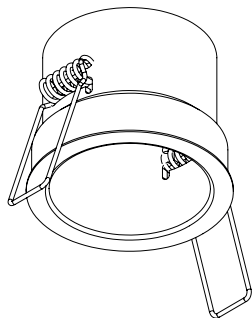


NOTE: THESE INSTRUCTIONS MUST NOT CONTRAVENE YOUR LOCAL ELECTRICAL AUTHORITY REGULATIONS, WITH WHICH ALL INSTALLATIONS HERE IN MUST COMPLY

FOR INTERIOR USE ONLY

The M2 and M4 wall and ceiling canister is an anodized aluminium sleeve that will fasten a M2 or M4 into a flat sheet, 10-19mm or 3/4" in thickness.

SUITABLE FOR ROUND STYLES AND LARGE FORMAT FLANGES. LARGER FORMAT FLANGE MODELS ARE RECOMMENDED WITH THIS CANISTER. WILL NOT WORK WITH SMALL SQUARE FLANGES.



Installation Instructions:

Mark out luminaire position and have the wiring terminated at the location ready to receive the M2 or M4 with suitable connectors.

Using a 51mm or 2" holesaw, cut a neat hole accurately in the painted or similarly finished panel. Route the wiring out of the hole and thread through the canister bore. Fold the spring wings back against the canister and inset into the hole. The canister will be marginally proud of the wall when fully inserted. This is normal and not usually noticeable.

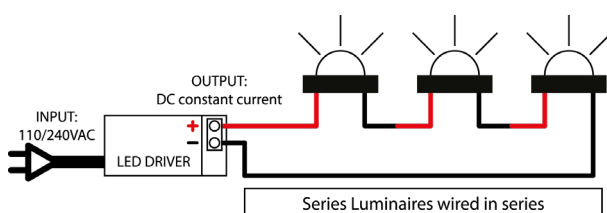
Connect the wiring.

Installing the luminaire:

Insert the M2 or M4 into the canister and push home. The fitting is retained internally by spring pressure.

REMOTE DRIVER WIRED IN SERIES

Often referred to as series wiring the current in a series circuit follows one path from start-to-finish with the positive of the second LED connected to the negative of the first. Series wiring allows a single driver to be mounted remotely, powering a number of series fittings. Often the most simplest of wiring schemes as each fitting is connected to the next in a daisy chain. It removes the need for a smaller 12 volt driver in each fitting.



INTEGRAL DRIVER + TRANSFORMER

In a parallel circuit all the positive connections are tied together and back to the positive output of the LED driver and all the negative connections are tied together and back to the negative output of the driver. The integral driver option allows LuxR fittings to be wired in parallel to existing or new installations where a wire wound or magnetic transformer is being used.

