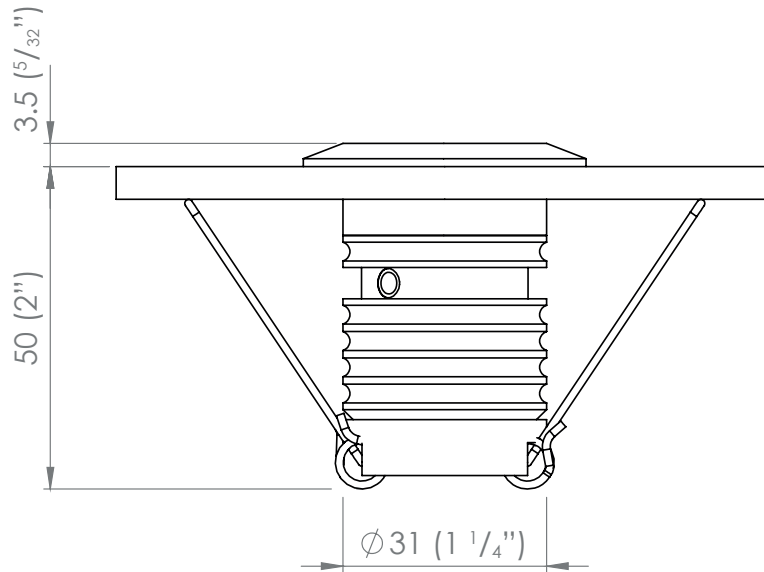


M1 ALUMINIUM WALL AND CEILING RECESSED SPRING INSTALLATION GUIDE



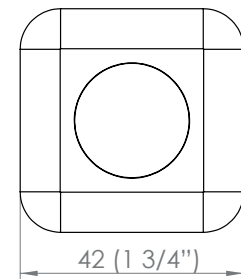
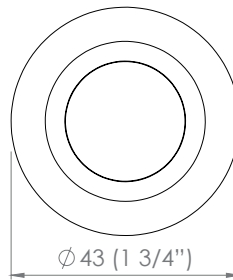
NOTE: THESE INSTRUCTIONS MUST NOT CONTRAVENE YOUR LOCAL ELECTRICAL AUTHORITY REGULATIONS, WITH WHICH ALL INSTALLATIONS HERE IN MUST COMPLY

Installation Instructions:

Mark out luminaire position and have the wiring terminated at the location ready to receive the M1 with suitable connectors.

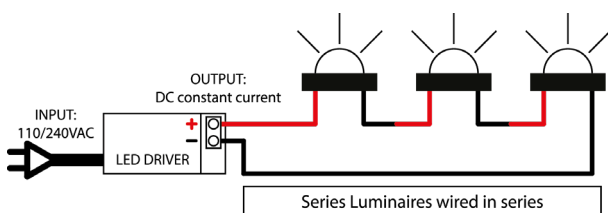
Using a 31.8mm or 1 1/4" holesaw, cut a neat hole accurately in the surface where the M1 is to be mounted. Route the wiring out of the hole and electrically terminate the product. Fold the spring wings back against the M1 body and inset into the hole. The flange will sit flush with the wall when fully inserted.

SUITABLE FOR M1 ROUND AND SQUARE FLANGE ONLY



REMOTE DRIVER WIRED IN SERIES

Often referred to as series wiring the current in a series circuit follows one path from start-to-finish with the positive of the second LED connected to the negative of the first. Series wiring allows a single driver to be mounted remotely, powering a number of series fittings. Often the most simplest of wiring schemes as each fitting is connected to the next in a daisy chain. It removes the need for a smaller 12 volt driver in each fitting.



INTEGRAL DRIVER + TRANSFORMER

In a parallel circuit all the positive connections are tied together and back to the positive output of the LED driver and all the negative connections are tied together and back to the negative output of the driver. The integral driver option allows LuxR fittings to be wired in parallel to existing or new installations where a wire wound or magnetic transformer is being used.

