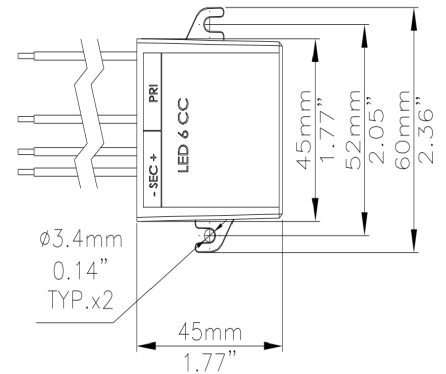
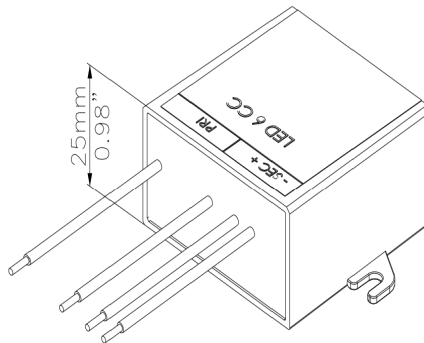


The GE/Lightech LED-6DC-350 is a 6 Watt electronic, constant current, remote driver available to power LuxR series version fixtures in the USA market. It is non-dimmable.

For exterior use, it is highly recommended to install this in a weatherproof box, available as an option from LuxR. The PC-17-02 weatherproof box is a requirement for UL compliance.

When this driver is used as a remote power supply, SERIES WIRING is required to connect the fixtures. Please refer to the wiring diagram overleaf.

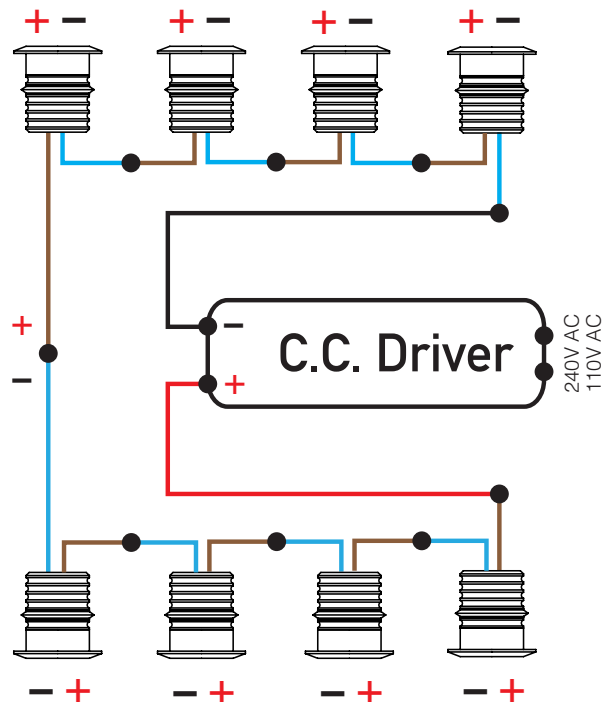


## SPECIFICATIONS



<b>Input Voltage</b>	120-277Vac 50-60Hz
<b>Output Voltage</b>	2V-20V dc
<b>Output Current</b>	350mA
<b>Wattage</b>	6 Watt
<b>Temperature range</b>	-25...+50°C, max 71°C
<b>Dimensions</b>	25x45x45mm (1" x 13/4" x 13/4" )
<b>Standards</b>	IP67, CSA, UL Recognized
<b>Ordering Code</b>	LED-6DC-350.
<b>Ingress Protection Rating</b>	IP67
<b>Compatibility</b>	Modux: Micro, 1, 2 or 4 products
<b>Warranty</b>	Warranty 5 years

## SERIES WIRING SCHEMATIC



## INSTALLATION INSTRUCTIONS

To preserve the validity of your warranty and ensure long term performance of your LuxR products, it is critical to follow the correct installation procedures.

The installation of LuxR Modux range of luminaires must be carried out by a suitably qualified person in accordance with local and/or international standards. When working on an electrical system all precautions should be taken to prevent electrical shock.

When the driver device has been switched off there a residual voltage, which can be apparent for up to 10 minutes. Connecting LEDs to a driver device within this time, without first discharging the secondary output will damage the LED's. To prevent damage of the LED, ensure that the circuit is switched off and the driver is not live, before connecting any LED's.